

## LED Cooler Light ONN-X5G

### Introduction:

1. ONN-X5G has a switch, can choose gear II with human infrared induction mode or gear I steady on mode, induction distance 0-3 M, 120° wide Angle induction, automatic light off after leaving the induction range 30S;
2. The lampshade adopts opal light diffusion treatment, the overall light is uniform and not dazzling, the appearance is simple and generous, no spare parts, exquisite and beautiful, and the protection level is IP50;
3. Installation method: screw installation or two installation methods with magnet;
4. Using 2835 lamp beads, the light source is small, cost-effective, good stability, low thermal resistance, good thermal conductivity, low light decay is the best choice for lighting
5. Other advantages of this product are: installation can be a variety of choices, small size, can save space; Aluminum-based circuit board has good heat dissipation, longer lamp life; Easy to disassemble, easy to install, easy to transport. Scope of application: electrical cabinet, electrical cabinet, communication cabinet, distribution cabinet, distribution cabinet and other types of chassis

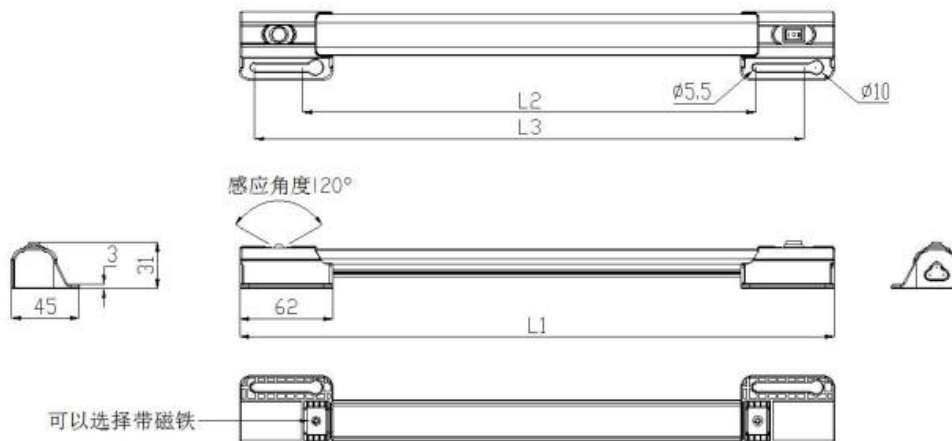
### Application:

Cooler, Supermarket freezer and control cabinet

**Warranty:** 2 years



### Dimension(mm)



### Ordering code:

**ONN X5G - B 1 300 (6W)**

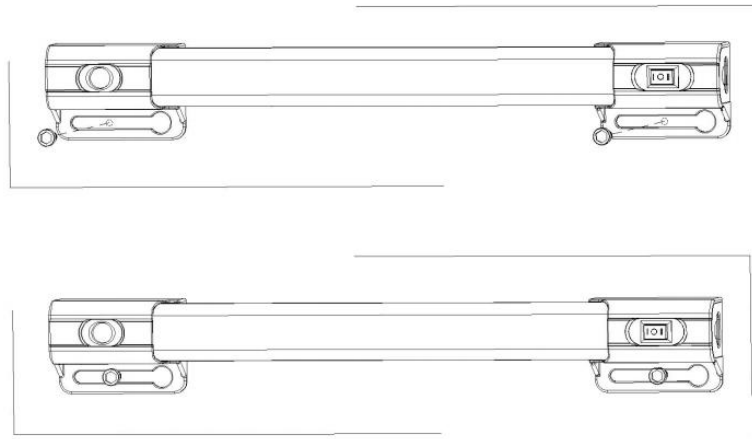
Model No.	
Voltage	B:24VDC C:220VAC
Color temperature	1.6500-7000K 2.4000-4500K 3.2800-3200K
Length (power)	300: 300mm (6w) 400: 400mm (8w) 500: 500mm (10w) 600: 600mm (12w)

### Parameter:

Model No.	ONN-X5G
Input voltage	24VDC , 220VAC
IP rating	IP50
Beam angle	120 deg
Lumen efficiency	100-130lm/w
CRI	Ra>80
Material	Milky color PC housing
Warranty	2 years
Lifetime	50,000 hours
Working temperature/ humidity	-20~45°C / 10%-90%
Storage temperature/ humidity	-40~70°C / 10%-90%
<b>Installation</b>	Screw fixation, magnet fixation

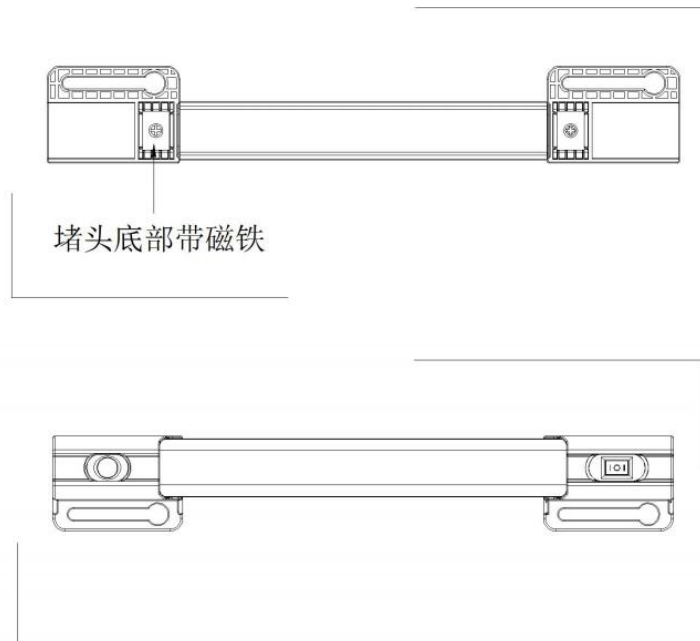
## Installation

### Screw fixation



1. Open the installation holes for the sheet metal according to the dimensions in the specifications.
2. Align the U-shaped hole on the lamp plug with the reserved hole;
3. Fasten the lamp with screws;
4. Use a 3-hole plug to power on according to the cable connection label.

### Magnet fixation



1. The lamp is aligned to the installation position of the sheet metal, and the back of the lamp is equipped with a magnet, which can be sucked on the sheet metal;
2. Use a 3-hole plug to power on according to the cable connection label

**Note: Do not work with electric danger, the lamp can be powered on to work normally after the complete installation**

**Package info**

Package material	Carton			
Lamp size (MM)	300	400	500	600
NW/PC (Kg)	0.13	0.162	0.2	0.23
GW/CTN (Kg)	5	5.64	7.2	7.8
Qty / CTN (PCS)	20	20	20	20
Foam size (L*W*H) mm	420*55*38	420*55*38	620*55*38	620*55*38
Carton size (L*W*H) mm	435*240*210	435*240*210	635*230*205	635*230*205

