

ONN-M4D LED Warning Light

Introduction:

1. PC cover+ABS base, simple structure, strong transmittance.
2. 2835 lamp beads, RYG,RGB are available, optional buzzer, warning volume 85 dB.
3. Easy to install.
4. Factory workshop, machinery, warehouse and other places of application.

Application: CNC machine, Automatic equipment, SMT equipment etc, Production line.

Warranty: 2 years

Certification: CE, RoHS, FCC

Ordering code:

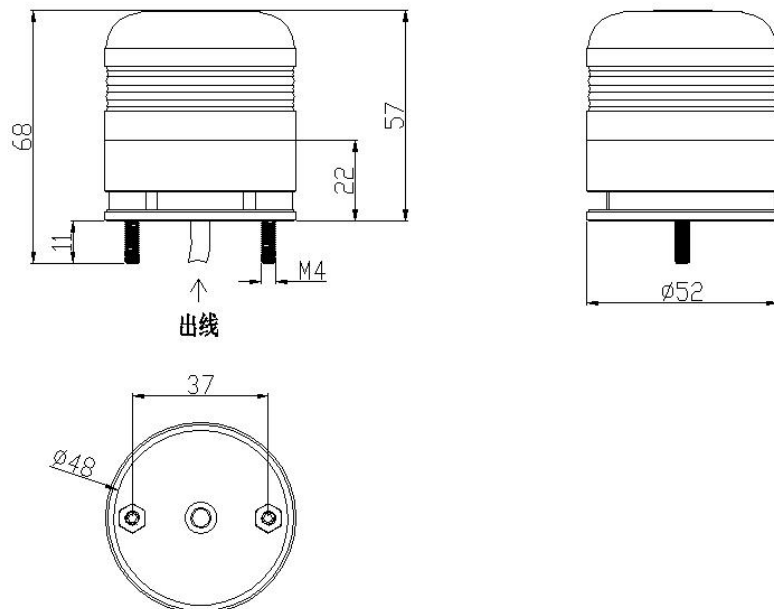
ONN - M4D <u>1</u> <u>B</u> <u>F</u> <u>T</u> <u>RYG</u>	
1 2 3 4 5	
1.Layer	1: Single layer
2. Voltage	A: AC/DC12V B: DC24V C: AC220V
3.Function	B: Steady, S: Red flash, D: All flash F: Steady with buzzer C: Red flash with buzzer E: All flash with buzzer
4.Connect type	C: Contact type, T: PNP& NPN
5. Color	R: Red, Y: Yellow, G:Green

Parameter:

Full Power	4.5W
Input voltage	AC/DC12V DC24V AC220V
Input current	30 to 50mA for each color
Working Temperature	-20~45°C
IP rating	IP40
Buzzer volume	85dB
Material	PC cover and ABS base
Lifetime	50,000 hours
Installation	Fixed by screw

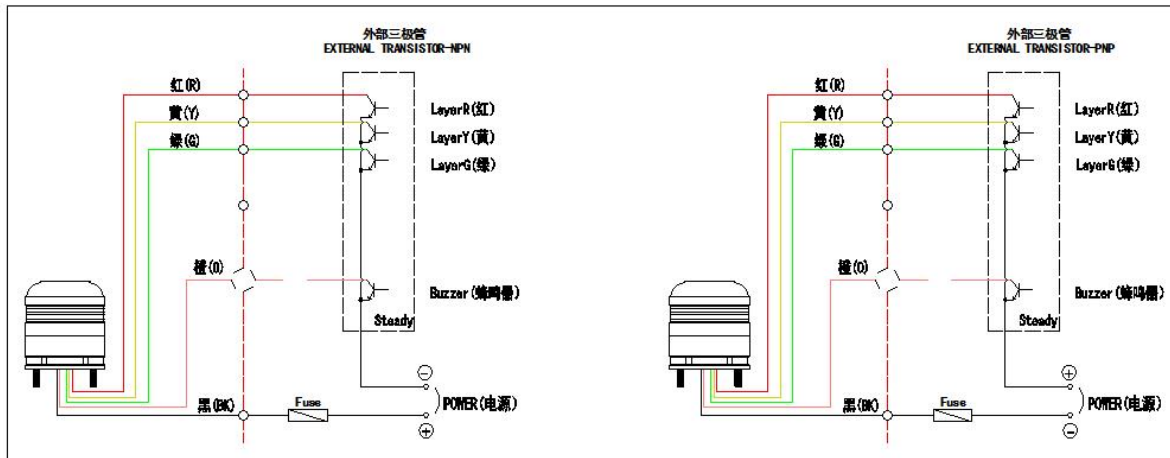


Dimension(mm):

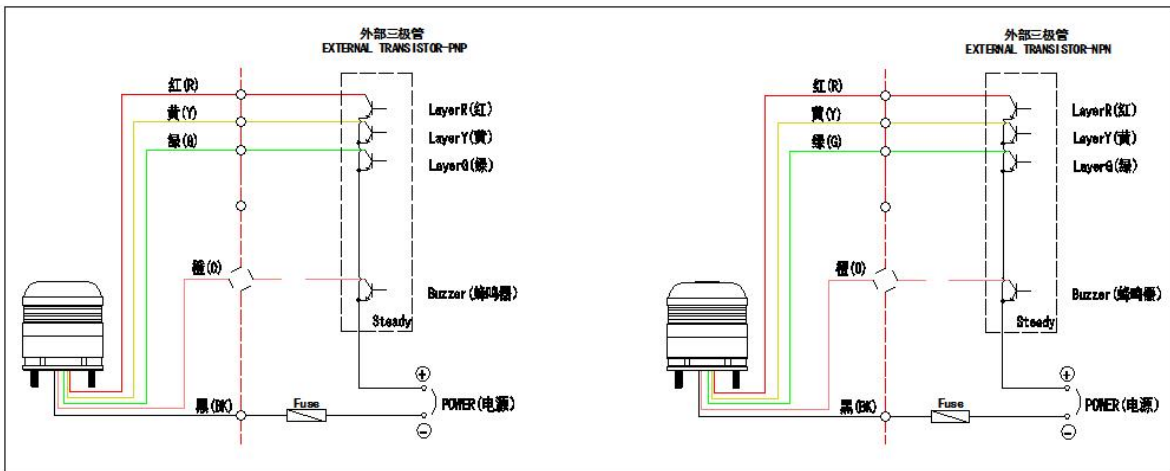


Wiring instruction:

PNP & NPN



Contact type



Package info.:

Item No.	Qty/carton	Inner box size	Carton size	Total NW.	Total GW.
ONN-M4D	76 pieces	70*70*70mm	395*350*345mm	5.7kg	6.4kg

