

LED Warning Light ONN-M4W

Introduction:

1. Traditional design, three colors.
2. ABS body with chrome plating, elegant appearance.
3. Double PC lens make light soft.
4. Easy to install, hanging and screw mounting available.

Application: CNC machine, Automatic equipment , SMT equipment etc.

Warranty: 2 years

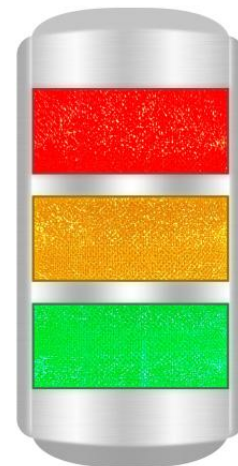
Certification: CE, RoHS, FCC

Ordering code:

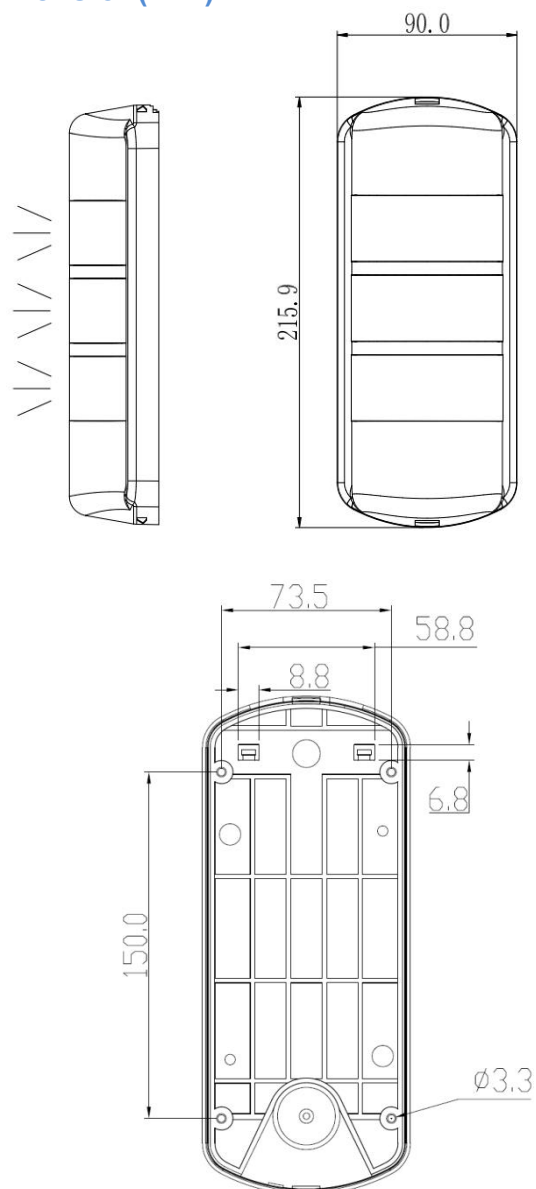
ONN M4W 3 W C A C RYG	
1	2 3 4 5 6 7
1. Model	ONN M4W
2. Layers	3
3. Mounting	W: Wall mounted
4. Voltage	B: DC24V C: AC220V
5. Function	A: Flash & Steady & Buzzer
3. Connect type	C: contact type
4. Color	R: Red, Y: Yellow, G: Green,

Parameter:

Full Power	4W
Input voltage	DC24V, AC220V
Input current	60-200mA
Working Temperature	-20~45°C
IP rating	IP50
Buzzer volume	>95dB
Material	PC lens and ABS body
Lifetime	50,000 hours
Installation	Fixed by screw

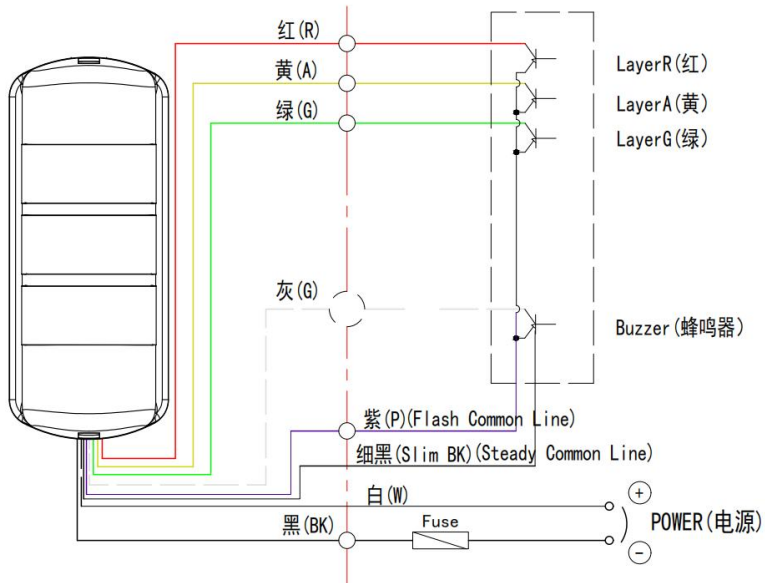


Dimension(mm):



Wiring instruction:

Contact type



Package info.:

Item No.	Qty/carton	Carton size	Total NW.	Total GW.
ONN-M4P	12 pieces	380*320*290mm	4kg	6.1kg

