

## LED Machine Work Light ONN-M9C

### Introduction:

1. The lamp body adopts one-piece sealing treatment, simple and elegant, exquisite and beautiful.
2. The light-emitting angle is adjusted, rotating mounting bracket is easy to install and adjust flexible.
3. The lamps are made of high-transparent glass and high-quality PC diffuser, with high brightness and good impact resistance.
4. High brightness SMD3030 LED chip, 140lm/w.
5. DC24V input.



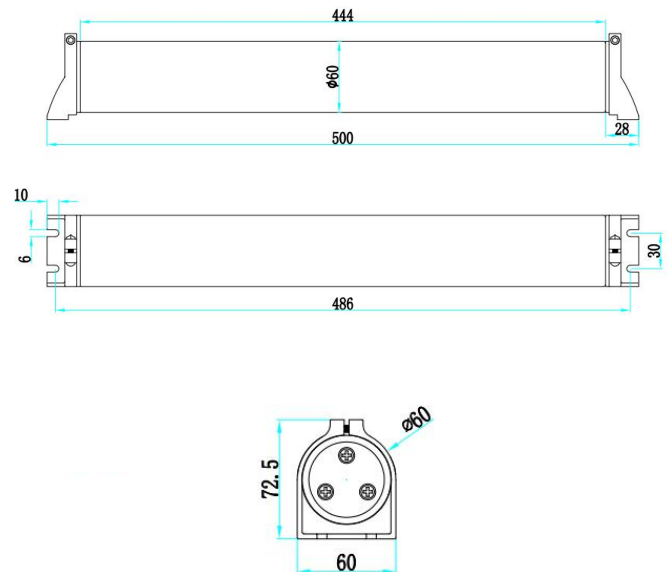
**Application:** CNC machine tools, CNC machining centers, CNC milling machines and other equipment that require high protection.

**Warranty:** 2 years

**Ordering code:**

ONN-M9C - B 1 - 500(19W)	
1	2 3 4
1. Model	M9C
2. Input Voltage	B: DC24V
3. CCT.	1. 6000-6500K 2. 4000-4500K 3. 2800-3200K
4. Dimension&Watt.	500mm(19W)
Mounting	By screws ( not provided)

**Dimension(mm):**

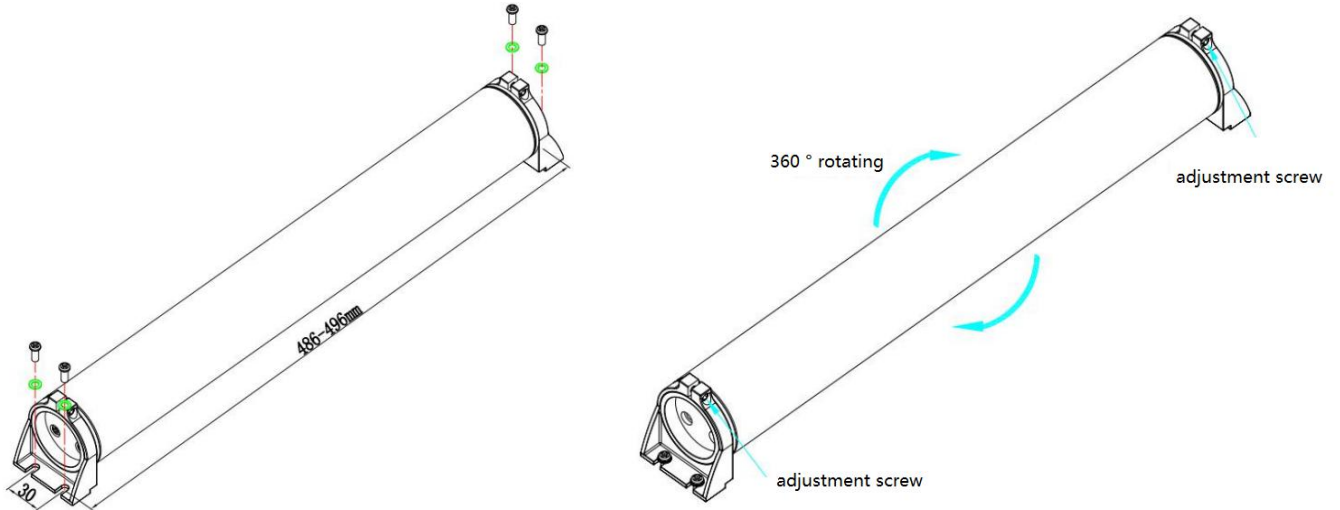


### Parameter:

Full power:	19W
Input Voltage range:	DC22-26V
Working Temperature	-10~40°C
IP rating:	IP67
Material:	Glass, PA
Lifetime:	50,000 hours
Lumen efficiency:	140lm/W
Cable:	0.5m
Emitting angle:	110 degree

## Mounting instruction:

Please test the lamp before installing the lamp. If it works normally, continue to install, if not, please replace the lamp.



- 1) According to the size of the installation hole of the lamp, locate and drill the installation hole.
- 2) Align the bracket holes with the screw holes, use M5 screws and gaskets to fix the lamp and lock it.
- 3) After fixing the lamp, loosen the adjustment screw according to the desired lighting angle.
- 4) Adjust the lighting angle to the desired angle, and then tighten the adjustment screw.
- 5) Connect the power supply and power on.

Note: The bracket is made of resin, in order to avoid breakage, do not over tighten the adjustment screw.

## Packing:

Model No.	Net Weight/pc	Qty/carton	Carton size	Total NW.	Total GW.
M9C	1.43kg	6 pieces	710*335*210mm	10kg	8.58kg