

## LED Warning Light ONN-M4G

### Introduction:

1. Designed to replace traditional warning light.
2. Aluminum frame and PC lens, elegant appearance.
3. Easy to install, mounted by thread and nut.
4. Variety of input voltage to meet different applications:  
AC100-240V 50/60Hz, DC12V, DC24V

**Application:** CNC machine, Automatic equipment , SMT equipment etc.

**Warranty:** 2 years

**Certification:** CE, RoHS, FCC



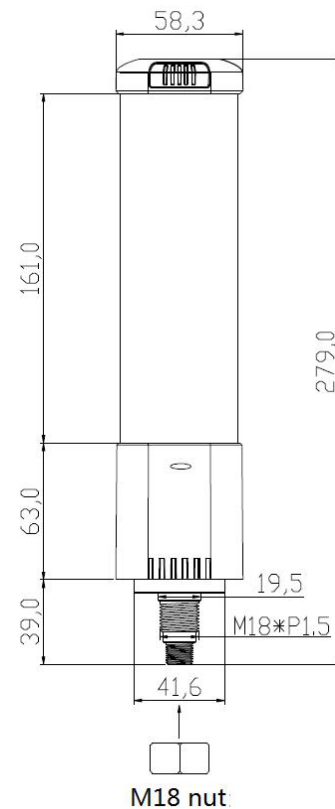
### Ordering code:

ONN - M4G	<u>3</u>	<u>C</u>	<u>B</u>	<u>B</u>	<u>T</u>	<u>RYG</u>
	1	2	3	4	5	6
1.Layer	3: Three layers					
2. Mounting type	C: Pole and plate					
3. Voltage	DC12V, DC24V, AC100-240V(50/60Hz)					
4.Function	B: Steady, F: Steady with buzzer, S: Red flash, C: Red flash with buzzer, D: All flash, E: All flash with buzzer					
5.Connect type	C: contact type, T: PNP& NPN					
6. Color	R: Red, Y: Yellow, G:Green					

### Parameter:

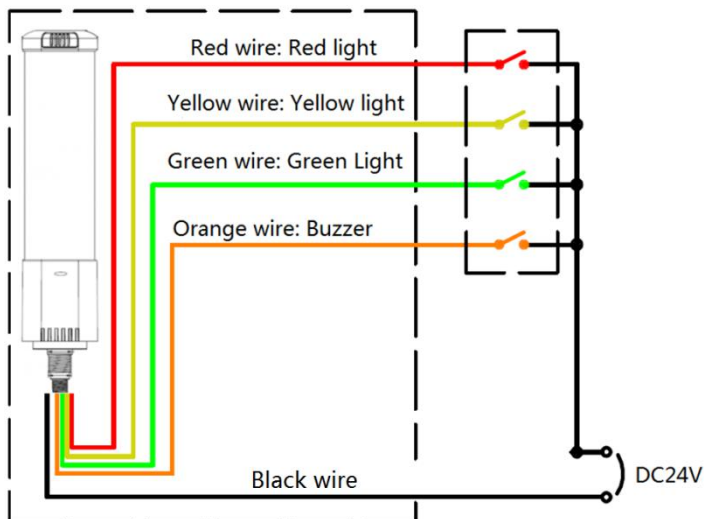
Full Power	6W
Input voltage	DC12V, DC24V, AC100-240V(50/60Hz)
Input current	60-200mA
Working Temperature	-20~45°C
IP rating	IP50
Buzzer volume	>95dB
Material	PC lens and ABS body
Lifetime	50,000 hours
Installation	Fixed thread and nut

### Dimension(mm):

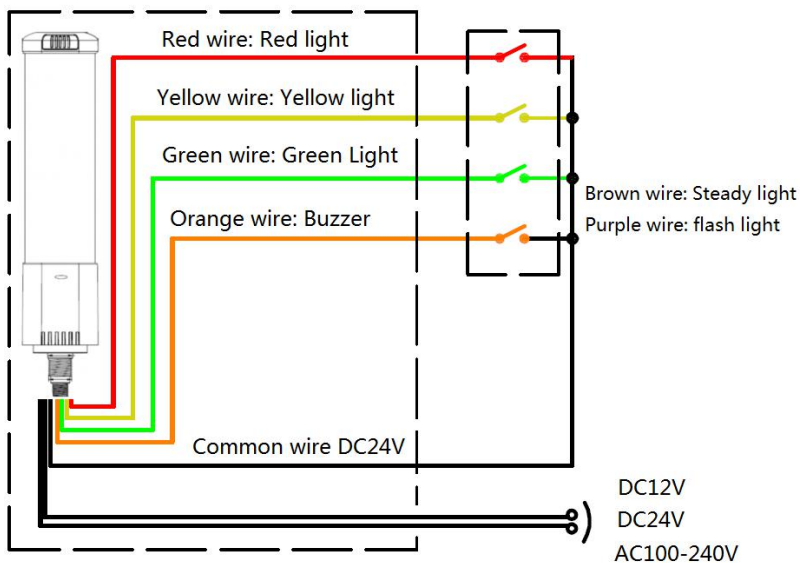


## Wiring instruction:

### PNP & NPN



### Contact type



### Package info.:

Item No.	Qty/carton	Carton size	Total NW.	Total GW.
ONN-M4P	12 pieces	380*320*290mm	4.8kg	7kg

