

ONN-M4B-30 LED Warning Light

Introduction:

1. Hemispheric design, elegant appearance.
2. Aluminum body with PC cover makes it sturdy and durable.
3. Three colors on a single layer, easy to distinguish different signals.
4. Diameter is only 30mm, very compact.
5. M12 connector wiring is optional.
6. IP67 waterproof, suitable for harsh environment.



Application: CNC machine, Automatic equipment, SMT equipment etc, Production line.

Warranty: 2 years

Certification: CE, RoHS, FCC

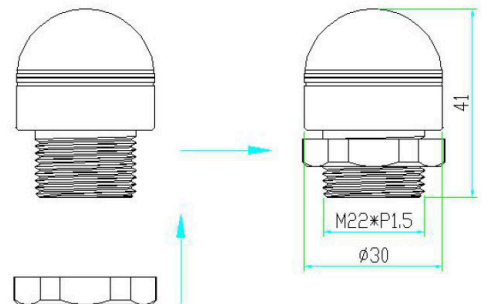
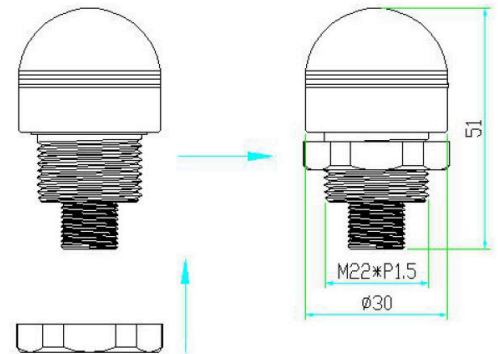
Ordering code:

ONN - M4B	<u>1</u>	<u>D</u>	<u>B</u>	<u>T</u>	<u>RYG</u>	<u>30</u>
	<u>1</u>	<u>3</u>	<u>4</u>	<u>5</u>	<u>6</u>	<u>7</u>
1.Layer	1: Single layer					
2. Voltage	D: DC12V~DC24V					
3.Function	B: Steady, S: Red flash, D: All flash					
4.Connect type	C: Contact type, T: PNP& NPN					
5. Color	R: Red, Y: Yellow, G:Green					
7. Diameter	30: ϕ 30mm					

Parameter:

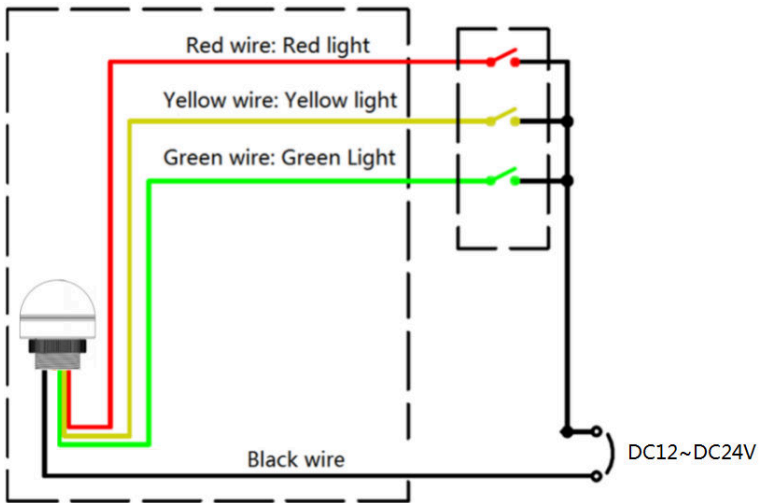
Full Power	2W
Input voltage	DC12V~DC24V
Input current	30 to 50mA for each color
Working Temperature	-20~45℃
IP rating	IP67
Material	Aluminum body and PC cover
Lifetime	50,000 hours
Installation	Fixed by thread

Dimension(mm):

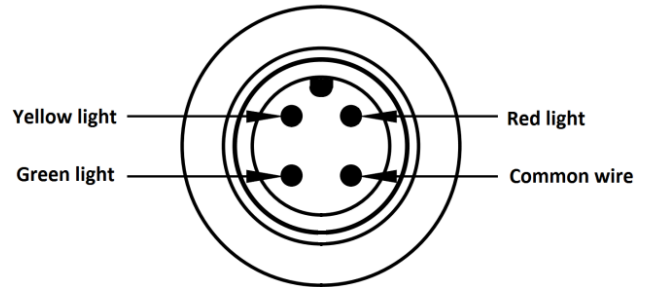


Wiring instruction:

PNP & NPN

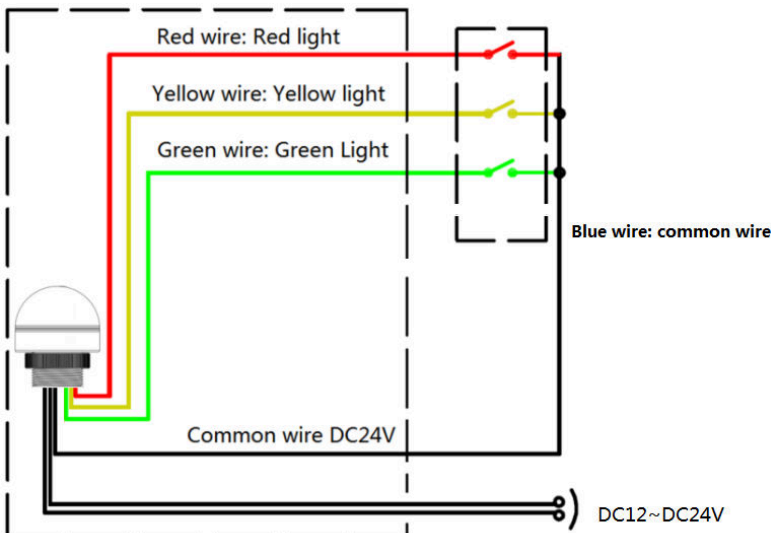


Standard M12 connector wiring(PNP/NPN)



**Please contact our sales, if need customized wiring for M12 connector.*

Contact type



Package info.:

Item No.	Qty/carton	Carton size	Total NW.	Total GW.
ONN-M4B(No buzzer type)	16 pieces	300*90*90mm	0.08kg	0.82kg

