

LED Warning Light ONN-M4-50S

Introduction:

1. With smooth surface, 3 layers, 3 colors.
2. Buzzer optional, volume is louder than 85dB.
3. High brightness LED chip, long lifetime and low decay.
4. Three kinds of base are available, easy to install.
5. Pole length can be customized.

Application: CNC machine, Automatic equipment , SMT equipment etc.

Warranty: 2 years

Certification: CE, RoHS, FCC

Ordering code:

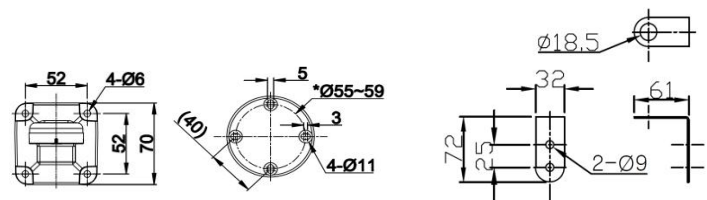
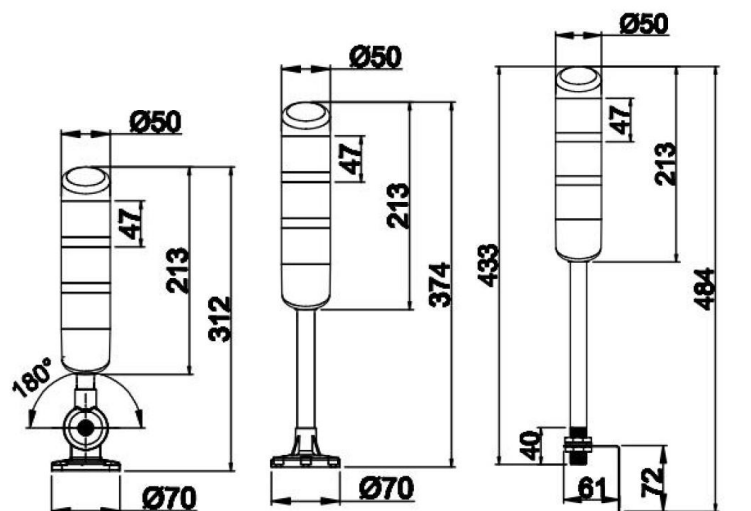
ONN - M4		<u>3</u>	<u>A</u>	<u>B</u>	<u>B</u>	<u>I</u>	<u>RYG</u>	<u>50S</u>
		1	2	3	4	5	6	7
1.Layer	3. Three layers							
2. Mounting type	A: Foldable type, C: Pole and plate E: L bracket							
3. Voltage	A: DC12V, B: DC24V, C: AC100-240V(50/60Hz)							
4.Function	B: Steady, F: Steady with buzzer, S: Red flash, C: Red flash with buzzer, D: All flash, E: All flash with buzzer							
5.Connect type	C: contact type, T: PNP& NPN							
6. Color	R: Red, Y: Yellow, G:Green							
7. Diameter	50S: ϕ 50mm							

Parameter:

Power	1.4W for each color
Input voltage	DC12V, DC24V, AC100-240V(50/60Hz)
Current	60-70mA for each color
Working Temperature	-20~45°C
IP rating	IP53, IP65(without buzzer)
Buzzer volume	>85dB
Material	PC lens and ABS body
Lifetime	50,000 hours
Installation	Fixed by screw or bracket



Dimension(mm):



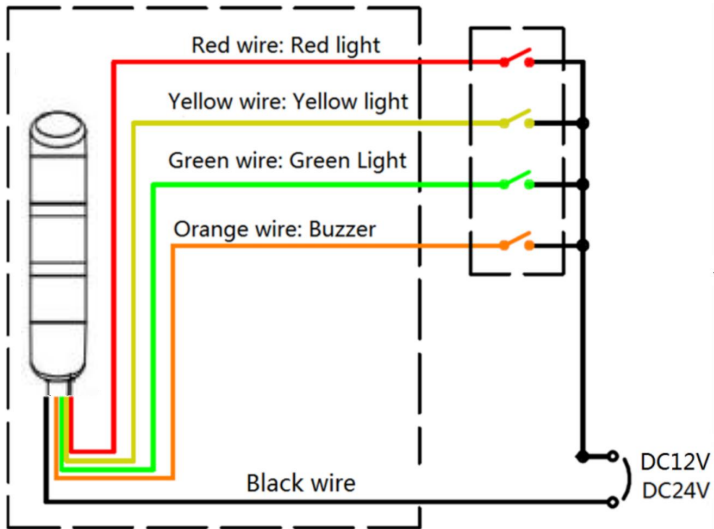
A. Foldable type

C. Pole and plate type

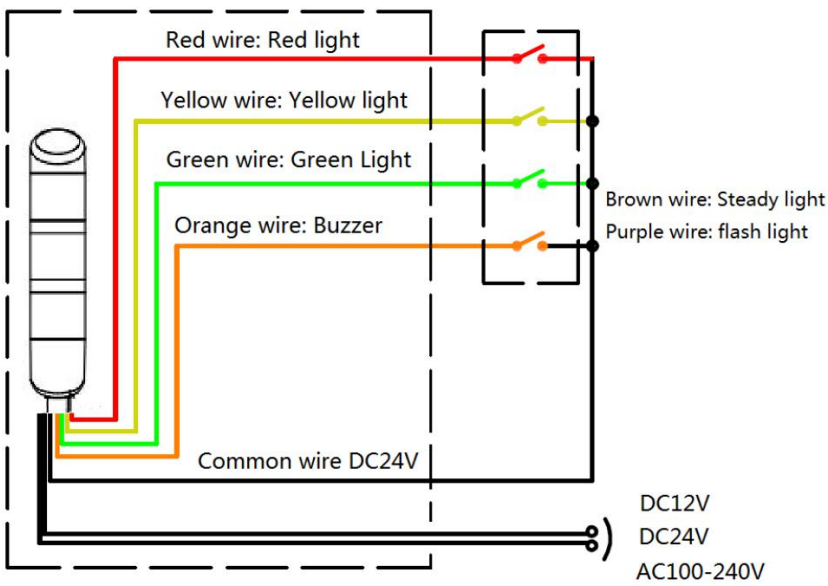
E. L bracket type

Wiring instruction:

PNP & NPN



Contact type



Package info..

Item No.	Qty/carton	Carton size	Total NW.	Total GW.
M4-50-3 layers	12 pieces	440*270*350mm	5.4kg	7.6kg

