

LED Machine Work Light ONN-M9PR

Introduction:

1. ONN-M9P is designed for harsh environment.
2. Using anodized aluminum lamp body and tempered glass.
3. IP67 rating, resistant to high pressure wash, coolants and detergents.
4. High brightness SMD2835 LED chip, 90lm/w.
5. Frosted cover available to decrease glare.
6. With rotatable bracket, lighting direction can be adjustable.
7. DC24V input.



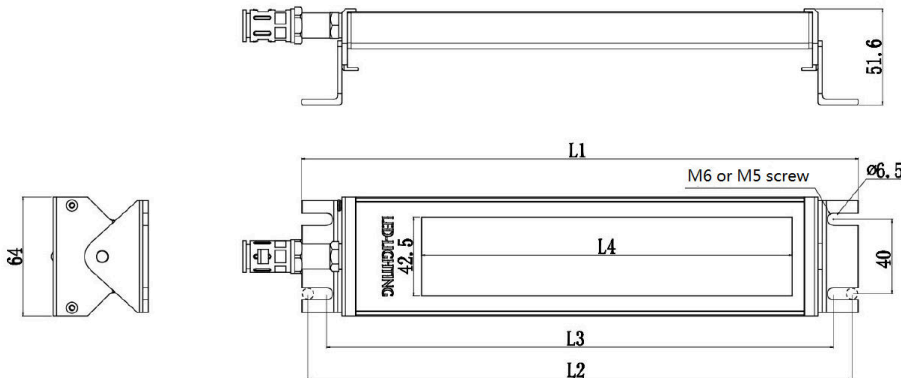
Application:

CNC machine work: engraving machine, EDM machine etc.
 Assembly and repair work table.
 Laboratories.

Warranty: 2 years

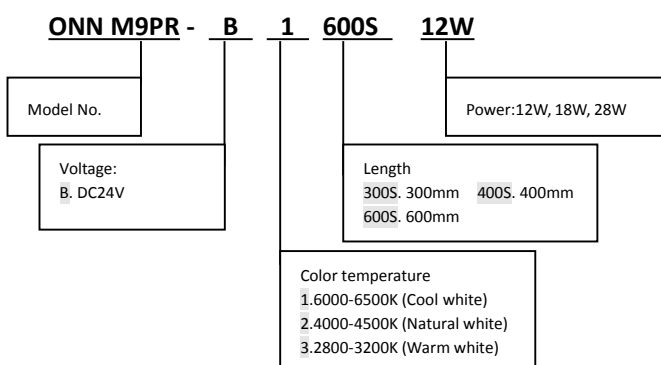
Certification: CE, RoHS, FCC

Dimension(mm):



	300S	400S	600S
L1	300	400	600
L2~L3	272~292	372~392	572~592
L4	200	300	500

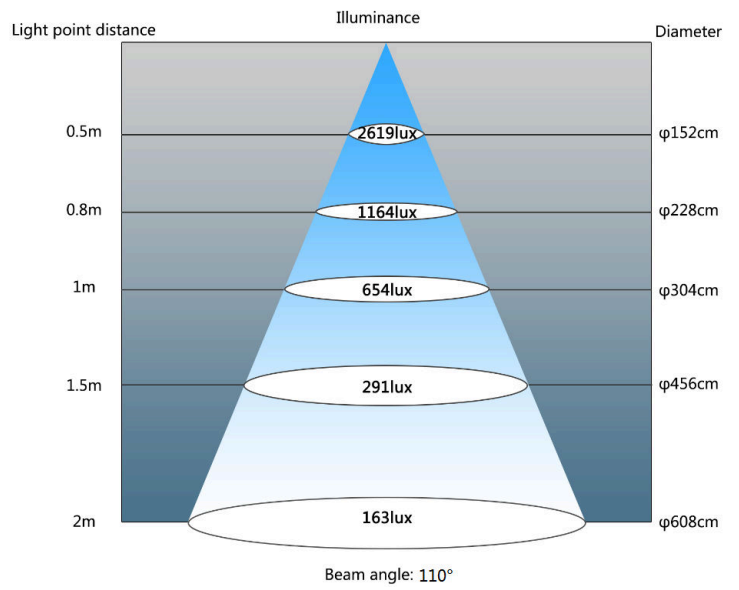
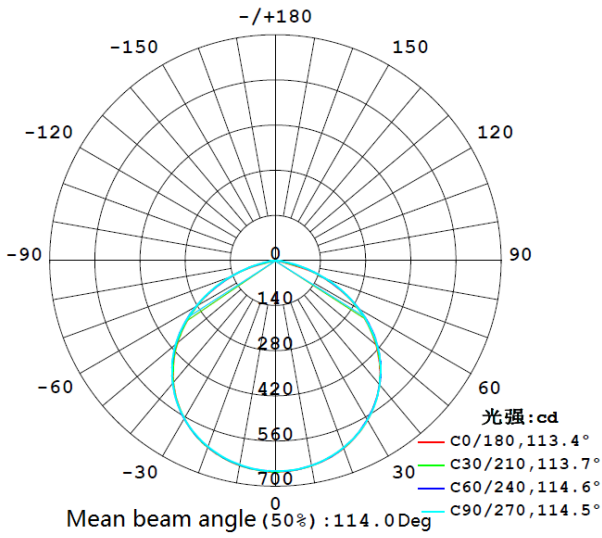
Ordering code:



Parameter:

Power(length)	12W(300mm), 18W(400mm), 28W(600mm)
Input voltage(current)	DC24V
Lumen efficiency	90lm/w
CRI	>80
IP rating	IP67
Beam angle	120 degree
Color temperature	2800-3200K, 4000-4500K, 6000-6500K
Material	Aluminum housing , Tempered glass
Lifetime	50,000 hours
Working temperature/ humidity	-20~45℃ / 10%-90%
Storage temperature/ humidity	-40~60℃ / 10%-90%
Installation	Fixed by screws
Cable	0.55m (2x0.3mm ²)

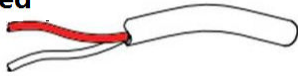
Light distribution data



Wire connection:

DC24V input

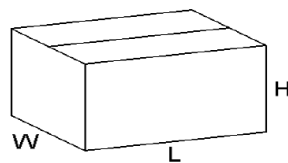
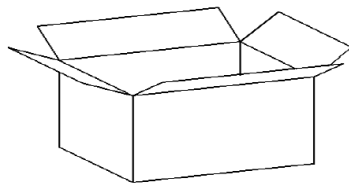
Positive(+): Red



Negative(-): White

Package info

	300S	400S	600S
Net Weight/pc	0.51KG	0.64KG	0.90KG
Qty/carton	16pcs/carton	9pcs/carton	20pcs/carton
Carton Size	L395*W350*H345mm	L530*W290*H240mm	L620*W380*H460mm
Net Weight	8.16kg	5.76kg	18kg
Gross Weight	10.2kg	7kg	21.6kg



Shenzhen Onn Semi-conductor lighting Co.,Ltd

Tel: +86-755-29566420 Fax: +86-755-27871421 Web: www.onnled.net www.onlion88.com

2/2

Add: Haofeng Industrial Park NO.2 Zone, Xinhe, Bao'an District, Shenzhen, China.