

# LED Modular Signal Tower Light ONN-M4F

## Introduction:

1. Modular design, user can add or remove modules freely.
2. Lighting mode and buzzer mode can be changed by user.  
Flash light, steady light, buzzer off, full volume buzzer, low volume buzzer can be implemented by DIP switch.
3. Three kinds of bases are available, easy to install.
4. DC12V, DC24V, AC100-240V are optional, and modules are universal for all models.

**Application:** CNC machine, Automatic equipment , SMT equipment etc, Work station.

**Warranty:** 2 years

**Certification:** CE (DC24V)

## Parts:



Parts Name	Parts No.	Description
Head cover	HC-BL-60/70 HC-AS-60/70	Black head cover, diameter 60/70mm Ashy head cover, diameter 60/70mm
Module	R-60/70 Y-60/70 G-60/70 B-60/70 W-60/70	Red light, diameter 60/70mm Yellow light, diameter 60/70mm Green light, diameter 60/70mm Blue light, diameter 60/70mm White light, diameter 60/70mm
Ring for module	RM-BL-60/70 RM-AS-60/70	Black ring, diameter 60/70mm Ashy ring, diameter 60/70mm
Body	BD-C-BL/AS-60/70 BD-B-BL/AS-60/70 BD-A-BL/AS-60/70	Body AC100-240V input (Black/Ashy)60/70mm Body DC24V input (Black/Ashy)60/70mm Body AC/DC12V input (Black/Ashy)60/70mm
Bracket	FB-BL/AS PB -BL/AS LB	Foldable bracket (Black/Ashy) Pole and plate bracket (Black/Ashy) L shape bracket

\*Pole length can be customized



Foldable bracket  
(50mm pole)



Pole and plate bracket  
(165mm pole)



L shape bracket  
(240mm pole)

### Ordering code(finished products):

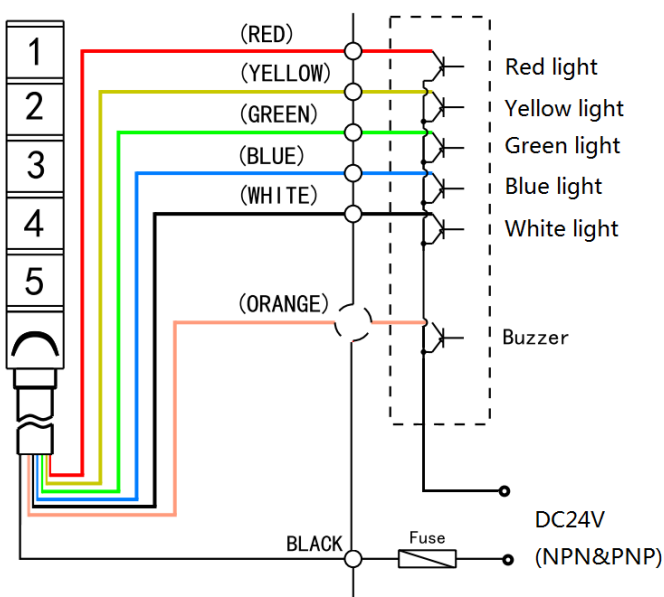
ONN - M4F <u>5</u> <u>A</u> <u>B</u> <u>T</u> <u>RYGBW</u> <u>60</u>	
1 2 3 4 5 6	
1.Layer	1: Single layer, 2.Two layers, 3.Three layers, 4. Four layers, 5 Five layers
2. Mounting type	A: Foldable type, C: Pole and plate E: L bracket
3. Input voltage	A: AC/DC12V(contact type only), B: DC24V, C: AC100-240V(contact type only)
4.Connect type	C: Contact type, T: PNP&NPN
5. Color	R: Red, Y: Yellow, G:Green, B:Blue, W:White
6. Diameter	60: $\phi$ 60mm, 70 $\phi$ 70mm

### Parameter:

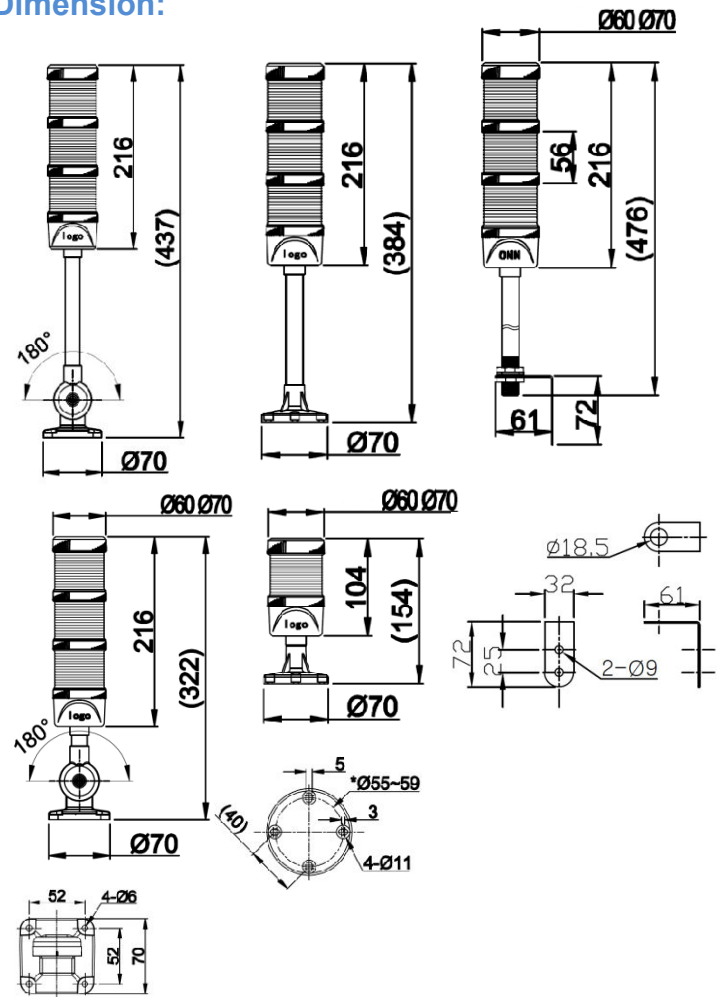
Power	1.2W for each color
Input voltage for module	DC24V
Input voltage for body	AC/DC12V, DC24V, AC100-240V optional
Working Temperature	-20~45°C
IP rating	IP53
Buzzer volume	high mode 85dB, low mode: 40dB
Input wire length	0.75 meter
Material	PC lens and ABS body
Lifetime	50,000 hours

### Wiring instruction:

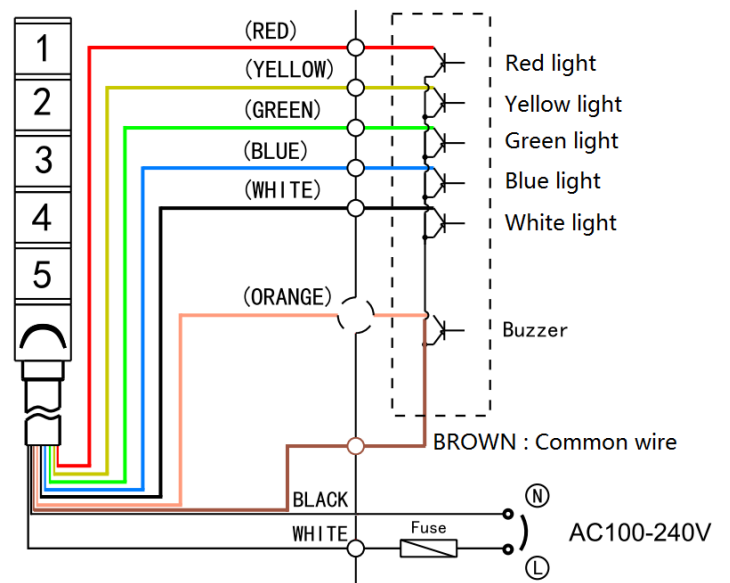
#### DC24V(PNP&NPN)



### Dimension:



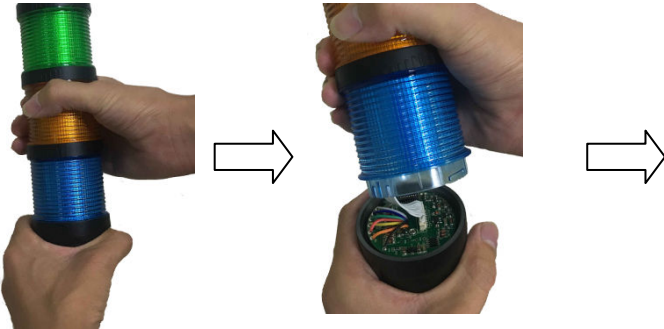
#### AC100-240V, AC/DC12V(contact type)



**WARNING: PLEASE CONFIRM INPUT VOLTAGE BEFORE WIRING, AND ENSURE THE POWER IS DISCONNECTED.**

## Replace modules:

1. Turn the body or LED unit to unlock then raise upwards slowly.



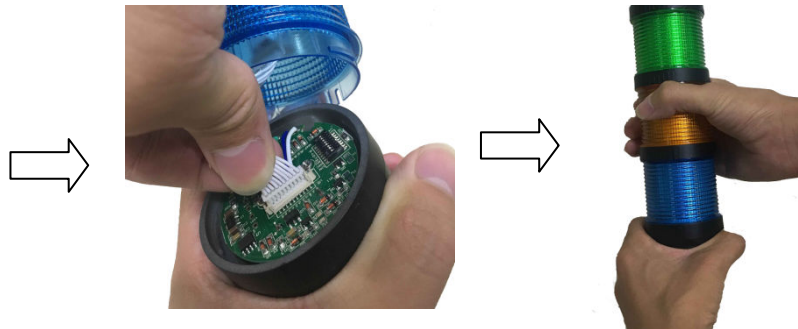
2. Unplug ribbon connector, remove module.



3. Plug ribbon connector. (Ensure slots of female connector towards outside)



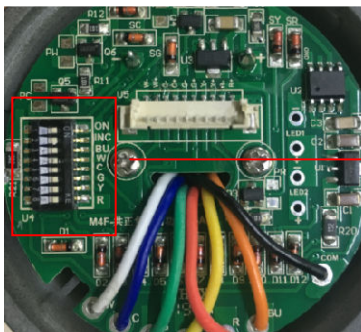
4. Turn the body or LED unit to locked.



## Function set-up:

DIP switch is in lamp body, unlock and remove the bottom LED module, then you can see the DIP switch.

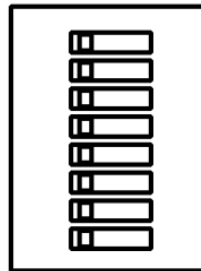
Adjust DIP switch to set-up function you need.



### Dip Switch Instruction

No buzzer  
Low sound  
Intermittent sound  
White flash  
Blue flash  
Green flash  
Yellow flash  
Red flash

1  
2  
3  
4  
5  
6  
7  
8



ON With buzzer  
INC Normal sound  
BU Continuous  
W White steady  
C Blue steady  
G Green steady  
Y Yellow steady  
R Red steady

\*Preset function is steady light with buzzer.

## Package info.:

Item No.	Qty/carton	Carton size	Total NW.	Total GW.
M4F-3 layers	12 pieces	440*270*350mm	5.4kg	7.6kg
M4F-4 layers	12 pieces	580*340*233mm	6kg	7.6kg
M4F-5 layers	12 pieces	580*340*233mm	7kg	8kg

\*There is inner box for each lamp.

## Shenzhen Onn Semi-conductor lighting Co.,Ltd

Tel: +86-755-29566540 Fax: +86-755-27871421 Web: www.onlion88.com

Add: Haofeng Industrial Park NO.2 Zone, Xinhe, Bao'an District, Shenzhen, China.