

ONN-M4S-D LED Warning Light

Introduction:

1. Baseball pole shape design, elegant and beautiful.
2. Use PC lens and aluminum body, yellowing prevent and durable.
3. High brightness LED chip with transparent lens, better visual effect, milky cover and piebald cover optional.
4. Easy to install, the installation part is hidden in the lamp body, it seems integrated with machine.
5. Foldable, very convenient when moving and packing machine.

Application: CNC machine, Automatic equipment, SMT equipment etc.

Warranty: 2 years

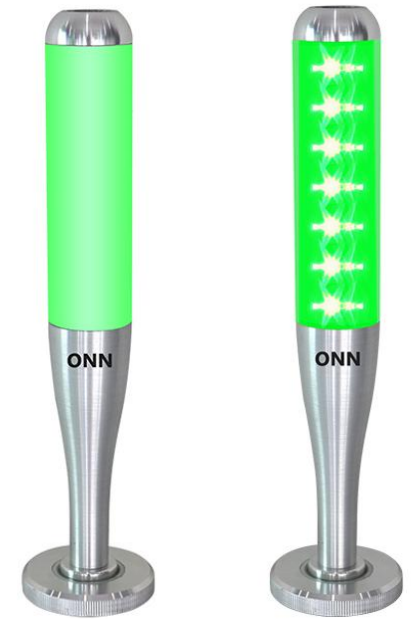
Certification: CE, RoHS

Ordering code:

ONN - M4S-D	<u>A</u>	<u>3</u>	<u>B</u>	<u>B</u>	<u>B</u>	<u>M</u>
	1	2	3	4	5	6
1. Lamp shape	A: Baseball pole shape					
2. Color	3: Three Colors (Red, Yellow, Green)					
3. Voltage	B: DC24V					
4. Connect type	C: contact type, B: PNP, Z: NPN					
5. Function	B: Steady, F: Steady with buzzer, S: Red flash, C: Red flash with buzzer, D: All flash, E: All flash with buzzer					
6. Cover	M: Milky cover, P: Piebald cover					

Parameter:

Full Power	8W
Input voltage	DC24V
Input current	110mA for each color, Buzzer: 10mA
Working Temperature	-20~45°C
IP rating	IP50
Material	PC lens and Aluminum body
Lifetime	50,000 hours
Installation	Fixed by screw

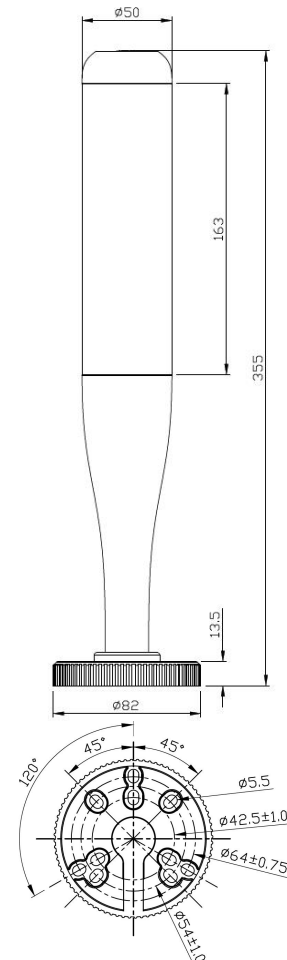


Milky cover effect

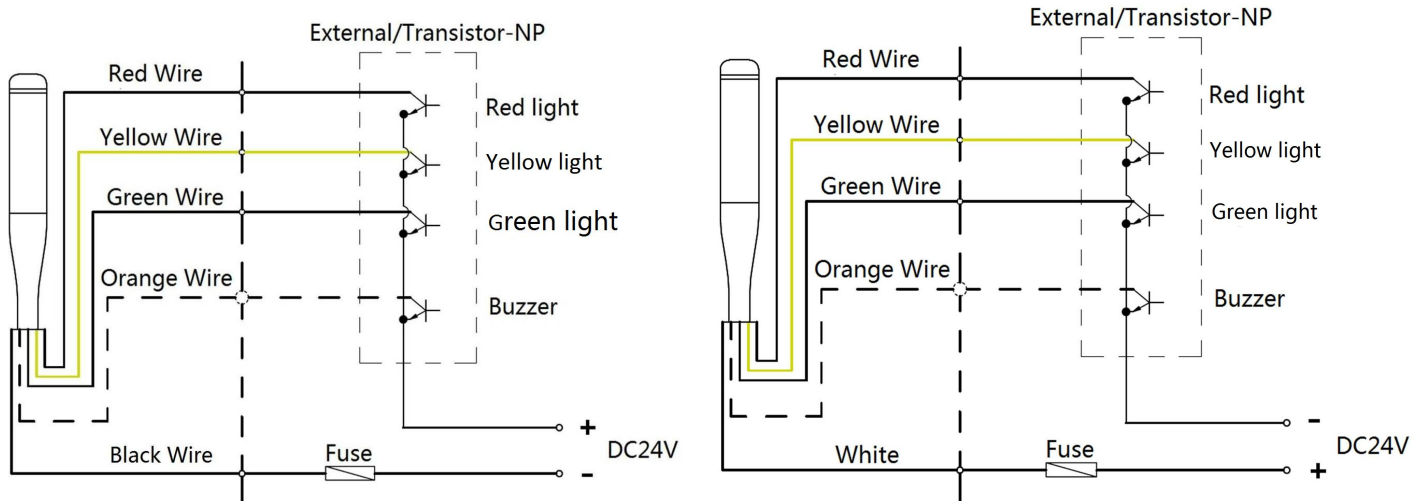
Piebald cover effect



Dimension(mm):

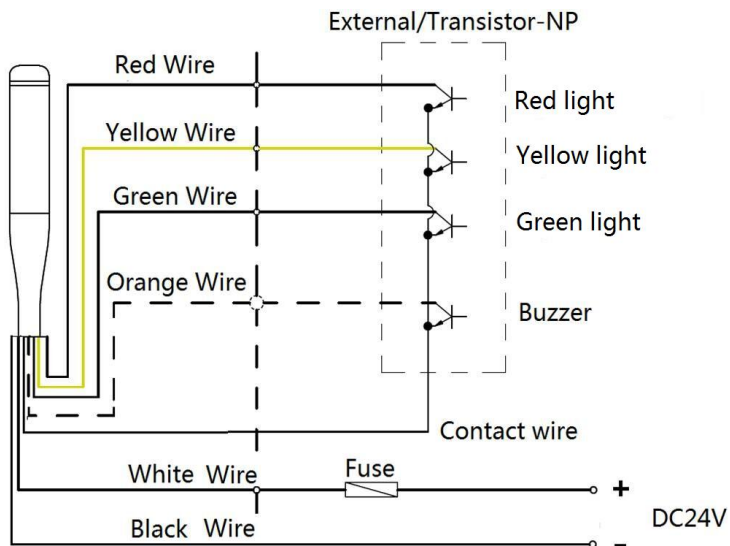


Wiring instruction:



PNP

NPN



Contact type

Package info.:

Item No.	Qty/carton	Carton size	Total NW.	Total GW.
ONN-M4S-T	12 pieces	440*270*350mm	7.2kg	9.5kg

