

## ONN-M4S-C LED Warning Light

### Introduction:

1. Baseball pole shape design, elegant and beautiful.
2. Use PC lens and aluminum body, yellowing prevent and durable.
3. High brightness LED chip with transparent lens, better visual effect.
4. Easy to install, the installation part is hidden in the lamp body, it seems integrated with machine
5. Foldable, very convenient when moving and packing machine.

**Application:** CNC machine, Automatic equipment, SMT equipment etc.

**Warranty:** 2 years

**Certification:** CE, RoHS, FCC

### Ordering code:

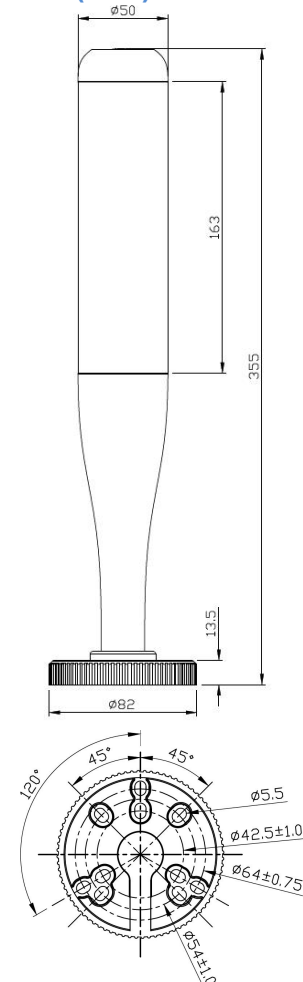
ONN - M4SC	A	3	B	B	B
	1	2	3	4	5
1. Lamp shape	A: Baseball pole shape				
2. Color	3: Three Colors (Red, Yellow, Green)				
3. Voltage	B: DC24V				
4. Connect type	C: contact type, B: PNP, Z: NPN				
5. Function	B: Steady, F: Steady with buzzer, S: Red flash, C: Red flash with buzzer, D: All flash, E: All flash with buzzer				

### Parameter:

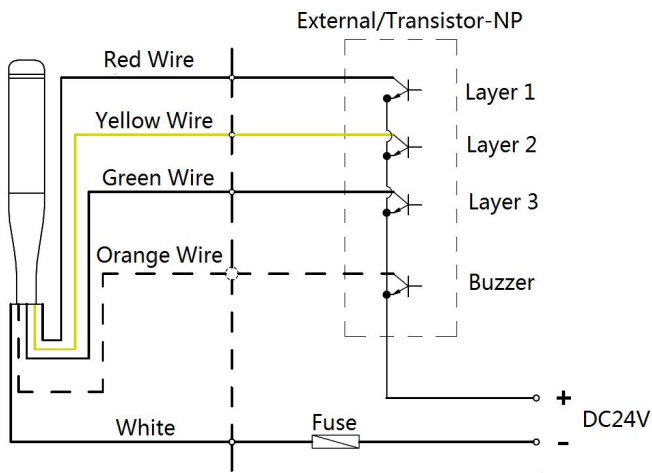
Power	4W
Input voltage	DC24V
Input current	60-200mA
Working Temperature	-20~45°C
IP rating	IP50
Material	PC lens and Aluminum body
Lifetime	50,000 hours
Installation	Fixed by screw



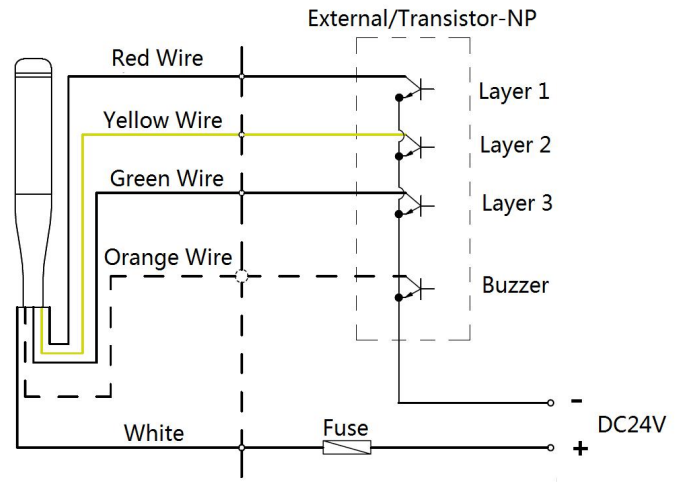
### Dimension(mm):



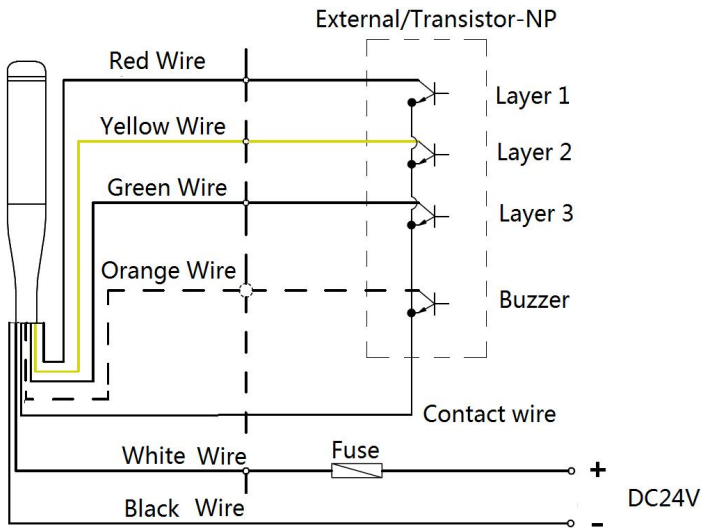
### Wiring instruction:



**PNP**



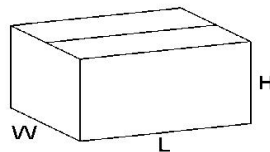
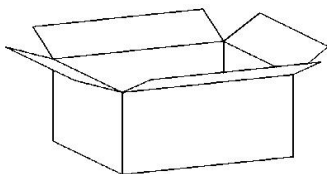
**NPN**



**Contact type**

### Package info.:

Item No.	Qty/carton	Carton size	Total NW.	Total GW.
ONN-M4S-T	12 pieces	440*270*350mm	7.2kg	9.5kg



### Shenzhen Onn Semi-conductor lighting Co.,Ltd

Tel: +86-755-29566540 Fax: +86-755-27871421 Web: www.onlion88.com

Add: Haofeng Industrial Park NO.2 Zone, Xinhe, Bao'an District, Shenzhen, China.