

## Dia. 30mm Led Tower Light –ONN-M4-30

### Introduction:

1. Ø30mm direct mount tower lights
2. Excellent visibility by using a high brightness LED
3. Steady and flash mode optional
4. Double lampshade includes inner milky color and outer transparent lampshade. The lens keep milky color when not emitting the specified color of signal.
5. Easy mounting with the bolts/ screws located at the bottom of the product
6. Materials : Lens-PC, Housing-ABS

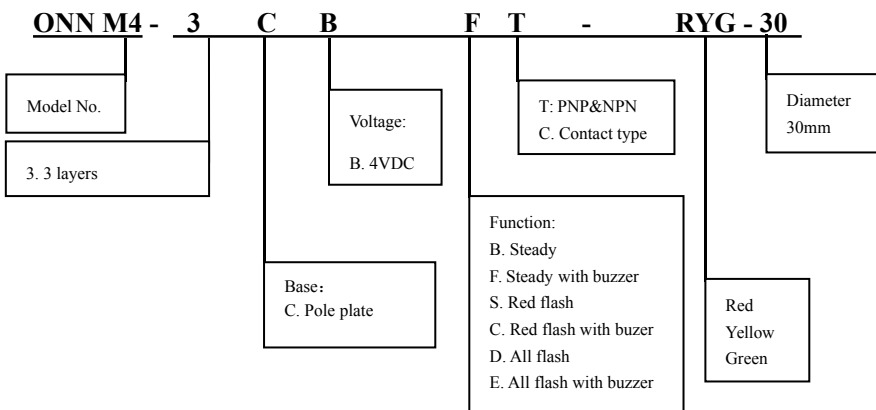


### Application:

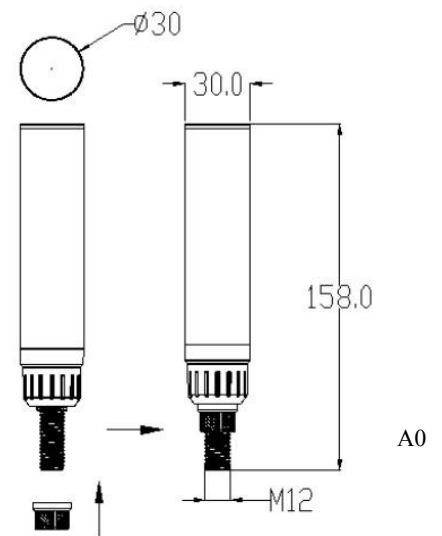
CNC machining equipment, assembly station, productivity monitoring, etc.

**Warranty:** 2 years

### Ordering code:

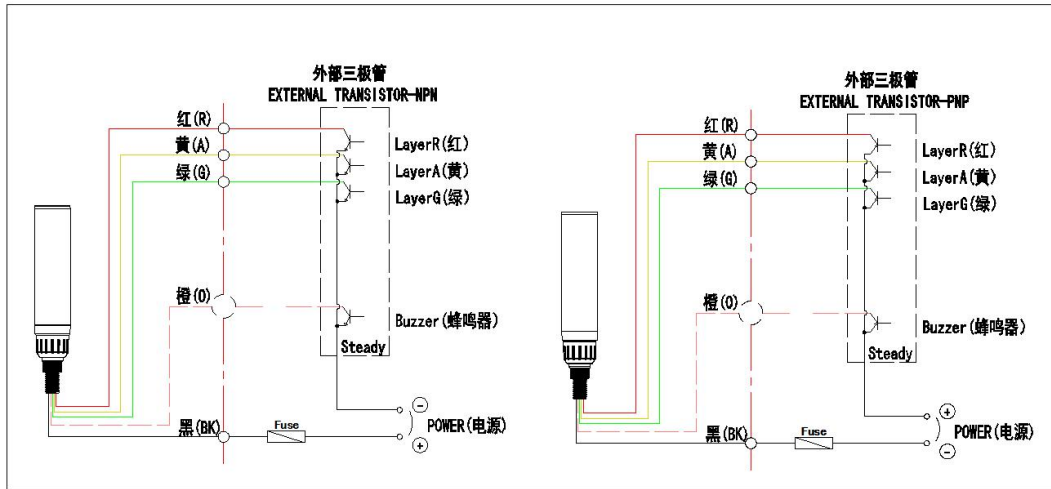
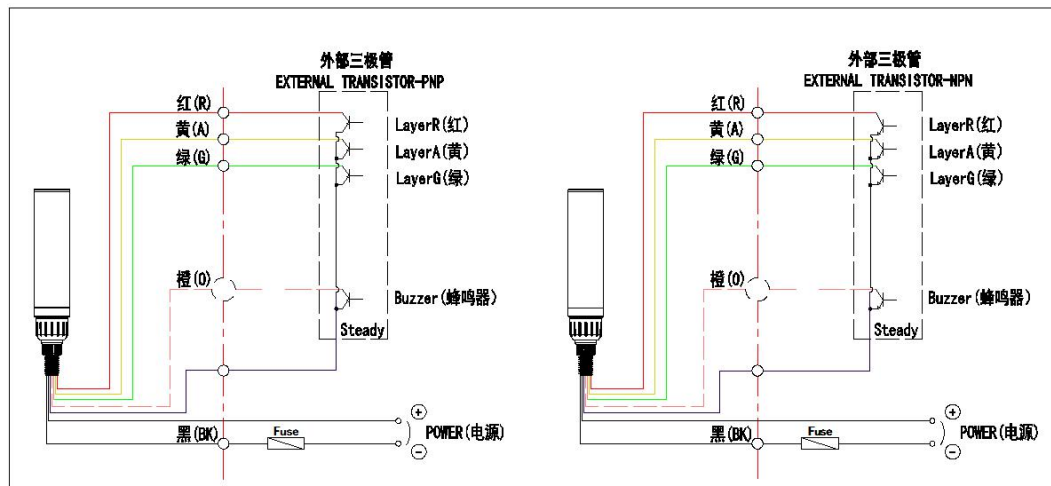


### Dimension(mm)



### Parameter:

Power	3.6W
Input voltage(current)	24V DC
Led chip	SMD5050, 0.1W/PC
IP rating	IP43
Material	Lens: PC, Body: ABS
Working temperature/ humidity	-20~45°C / 10%-90%
Storage temperature/ humidity	-40~70°C / 10%-90%
Lifetime	50,000 hours
<b>Installation</b>	Fixed by screws(Provided)

**Wiring instruction:**
**PNP&NPN**

**Contact type**

**Package info:**

Qty/carton	48pcs/carton
Carton Size	440*265*345mm
Net Weight	15.84kg
Gross Weight	16.5kg

**Shenzhen Onn Semi-conductor lighting Co.,Ltd**

Tel: +86-755-29566420 Fax: +86-755-27871421 Web: www.onnled.net  
 Add: Haofeng Industrial Park NO.2 Zone, Xinhe, Bao'an District, Shenzhen, China.