

## LED Warning Light ONN-M4-30

### Introduction:

1. Diameter 30mm, compact design, 3 color with buzzer.
2. Buzzer optional, volume is louder than 85dB.
3. High brightness LED chip, long lifetime and low decay.
4. Double PC cover, milky cover and transparent cover, makes light soft, and easy to be recognized.
5. Use M12 nut to install, make lamp integrated with equipment.

**Application:** Small CNC machine, Automatic equipment , Test equipment etc.

**Warranty:** 2 years

**Certification:** CE, RoHS, FCC

### Ordering code:

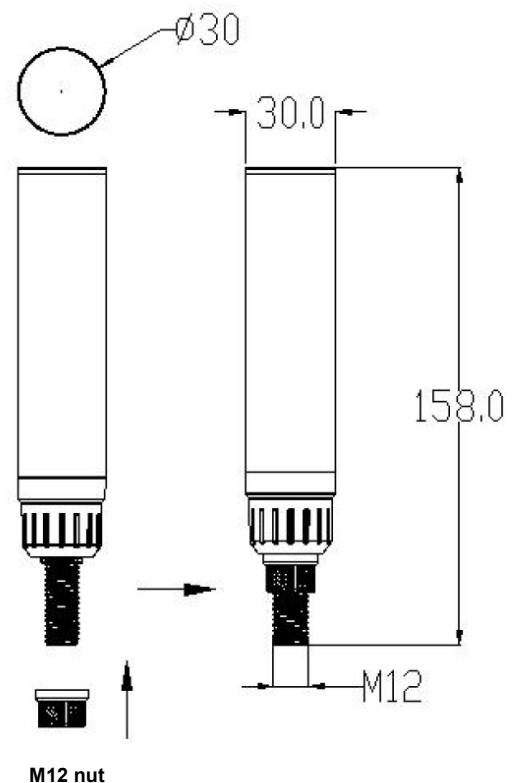
ONN - M4 <u>3</u> <u>C</u> <u>B</u> <u>F</u> <u>T</u> <u>RYG</u> <u>30</u>	
1 2 3 4 5 6 7	
1.Layer	3. Three layers
2. Mounting type	C: Pole and plate
3. Voltage	A: DC12V(contact type only) B: DC24V
4.Function	B: Steady, F: Steady with buzzer, S: Red flash, C: Red flash with buzzer, D: All flash, E: All flash with buzzer
5.Connect type	C: contact type, T: PNP& NPN
6. Color	R: Red, Y: Yellow, G:Green
7. Diameter	30: $\phi$ 30mm

### Parameter:

Power	0.7W for each color and 0.5W for buzzer
Input voltage	DC12V(contact type), DC24V
Current (DC24V)	30mA for each color, 20mA for buzzer
Working Temperature	-20~45℃
IP rating	IP43
Buzzer volume	>85dB
Material	PC lens and ABS base
Lifetime	50,000 hours
Installation	M12 nut

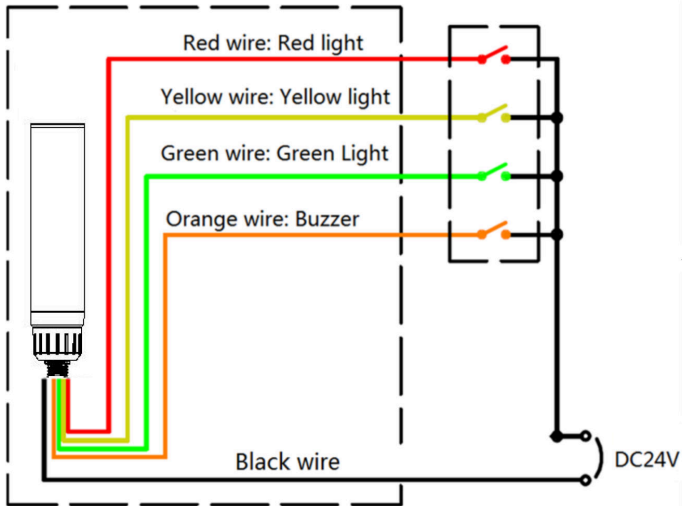


### Dimension(mm):

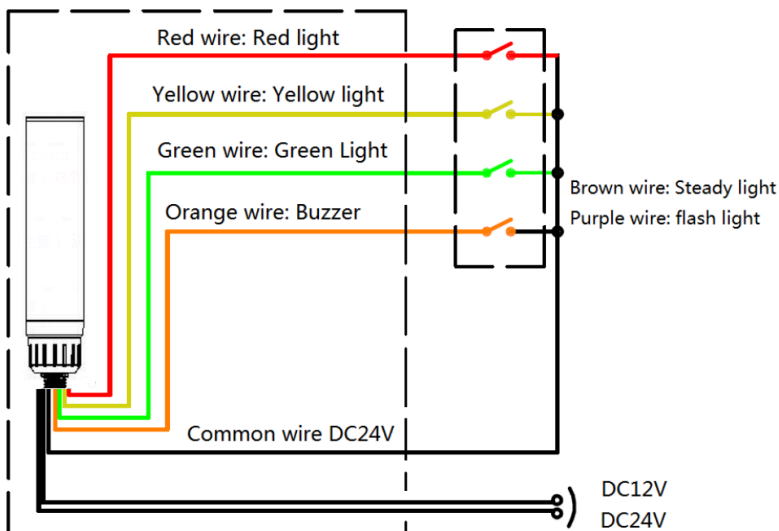


## Wiring instruction:

### PNP & NPN



### Contact type



### Package info.:

Item No.	Qty/carton	Carton size	Total NW.	Total GW.
M4-30	48 pieces	450*270*350mm	4.8kg	8kg

