

## Product specification

Name : ONN-LED Flat machine light

Model : ONN-M9T Series

Version : A0

Date : 2015-02-09

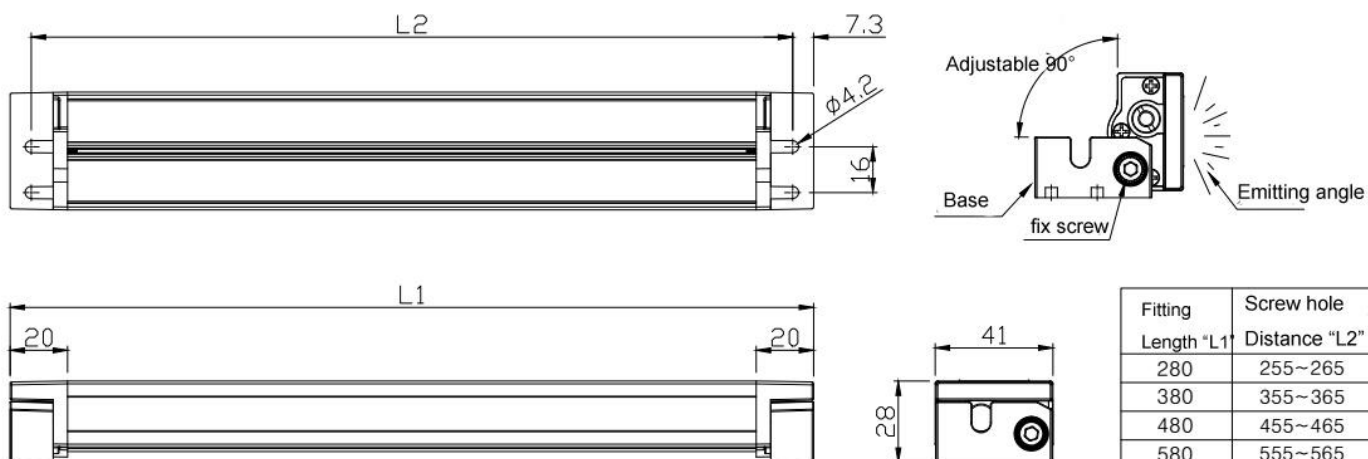
**Products introduce:**

- 1, ONN-M9T series of products using die-cast structure, waterproof tape, waterproof silicone, glass and other components combine;
- 2, lighting the overall thermal performance, simple and elegant appearance, exquisite beauty;
- 3, protection class IP65, suitable for harsh working conditions, high price performance;
- 4, Adapt 3030 Taiwan imported lamp beads, the light, small size, low thermal resistance, good thermal conductivity, low light is the best choice for lighting;
- 5, using the anchor screws, can adjust 90 ° lighting illumination angle;

**Scope: interior lighting tools, a variety of cold interior lighting.**

**Product photo and size drawing:**





### Technical parameter

Model	Input standard voltage	Input voltage range	CCT
□ONN-M9T-B1	DC 24V	DC 24±2V	5500-6000K
□ONN-M9T-B2	DC 24V	DC 24±2V	4000-4500K
Power wire length	■ About 0.55M(Standard) no plug fitted		
Lamp length	□280 mm	□380 mm	□480 mm
Power dissipation	8W	12 W	16 W
Input current	320mA	500mA	680mA
Light flux	635Lm	1000 Lm	1330 Lm

IP class	IP65	CCT Range	5500—6000K	4000-4500K
Light efficiency	70-75Lm/W	CRI(>Ra)	≥ 80	
Power supply	Low voltage non-isolated	Beam angle	60°	
Work temperature	< 60℃	Installation type	Fixed by screws	
Lifetime	50 000H			

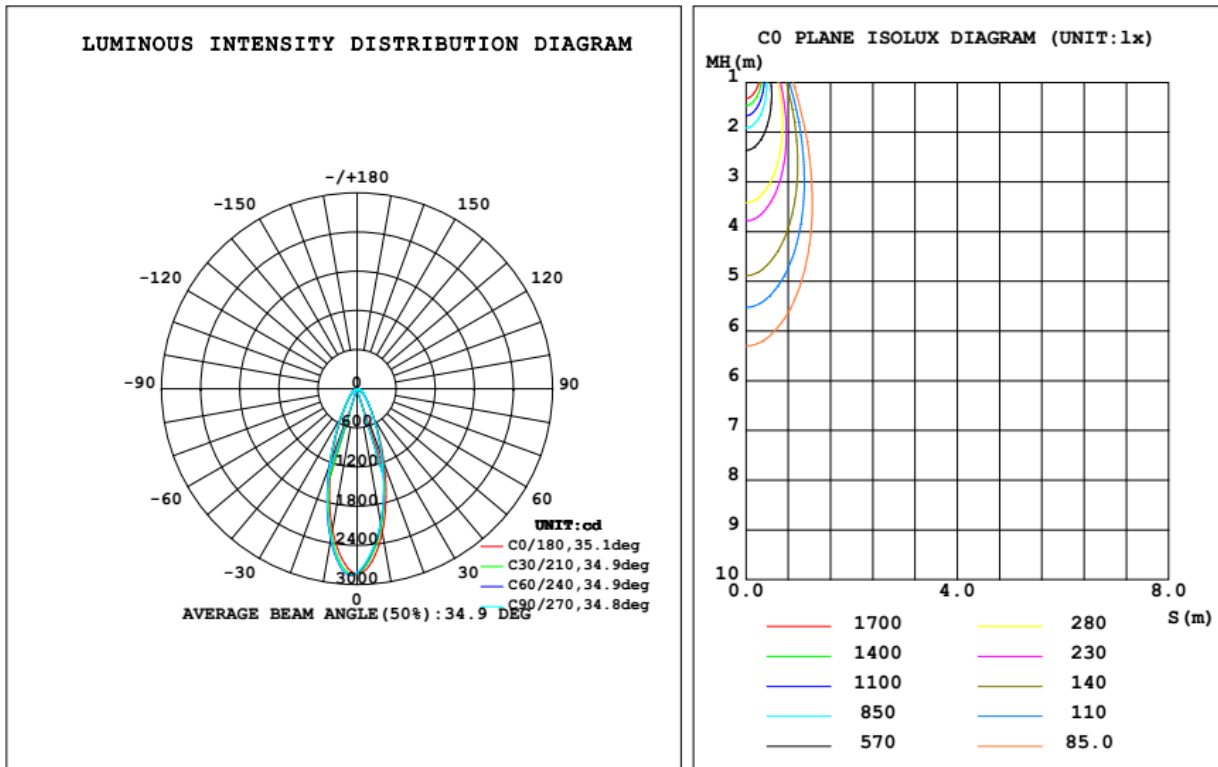
### Environmental Requirements:

<b>Working temperature:</b>	-20~45℃
-----------------------------	---------

### Shenzhen Onn Semi-conductor lighting Co.,Ltd

Save temperature:	-40~70°C
Working humidity:	10~90%
Save humidity:	10~90%

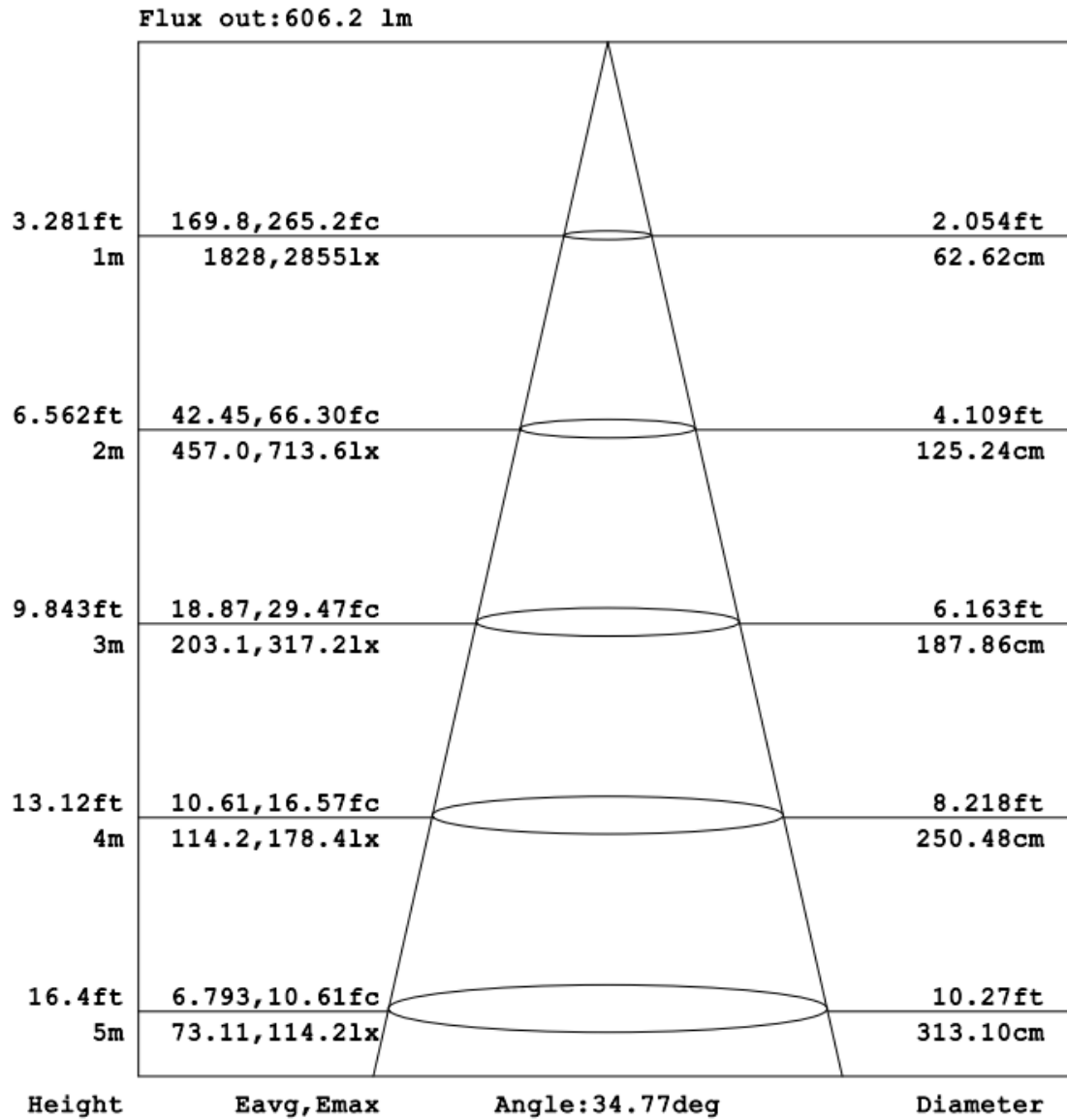
**Luminous Intensity Distribution Diagram:**



**Shenzhen Onn Semi-conductor lighting Co.,Ltd**



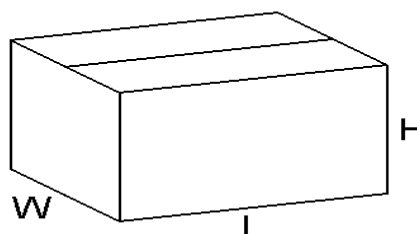
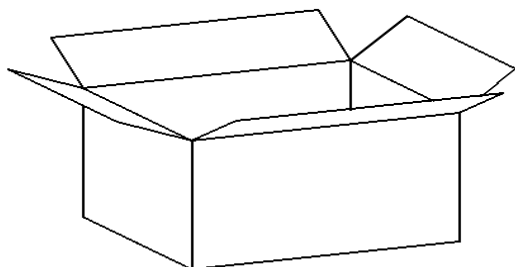
## Effective Average Illuminance Diagram



(M9T-B1-280)

**Packing:**

Packing material	Carton			
	280	380	480	580
Size of products (MM)	280	380	480	580
N/W of one light (Kg)	0.35	0.48	0.61	0.74
G/W of total cartons (Kg)	9	12	15	18
Quantity/CTN (PCS)	20	20	20	20
Carton size(L*W*H)mm	435*240*210	435*240*210	635*230*205	635*230*205
Inner box(L*W*H)mm	420*55*38	420*55*38	620*55*38	620*55*38

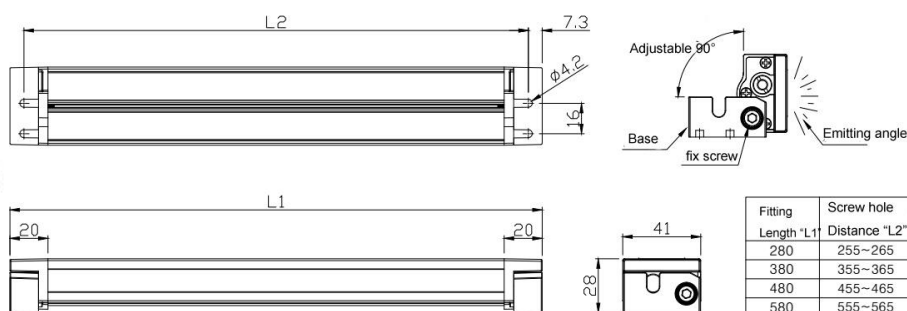
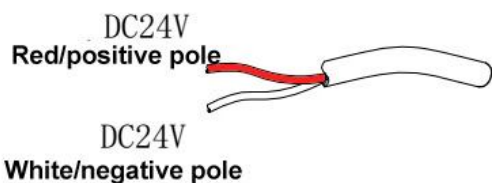


**Product installation:**

Fixed by screws:

- 1) At a specified fixed point to open the M4 screw holes, as shown in FIG pitch;
- 2) Screwed mounts, installed, loosen the nut, lamps and 90 ° irradiation angle can be, adjusted as needed to the desired angle, and finally tighten the nut.

**24V cable**



**Shenzhen Onn Semi-conductor lighting Co.,Ltd**