

Product specification

Name : ONN-LED machine work light

Model : ONN-M9 series

File encode: ONN-RD-SP-007

Version: A0

Date : 2015-03-12

一、Products introduce:

The products of series ONN-M9 is combine by profile structure, waterproof tape and silicone, tempered glass. IP65 rating. In addition, this light is used 3014 light source import from Taiwan, it is small, good cooling,

深圳市欧恩半导体照明有限公司

电话: 400-0448-288

邮箱: onn001@onnled.net

传真: +86-755-27871421

地址: 深圳宝安区福永新和豪丰科技园二区三楼

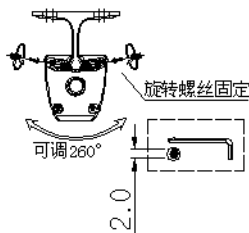
low-light failure, the best choice of light.

Application: inner light of machine, light in cold room, food factory, medical factory, fish products, mushroom industry.

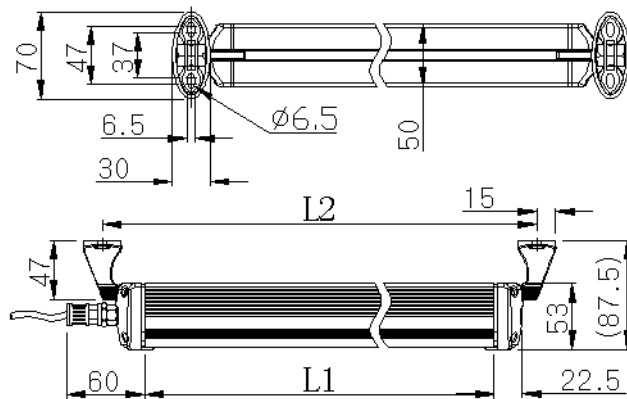
二、Products photo and size photo:



灯夹固定:



销钉固定:



规格长度 “L1”	灯夹安装孔径 距离“L2”	销钉安装孔径 距离“L3”
250	320~330	150~210
400	470~480	200~360
600	670~680	250~560
800	870~880	300~760



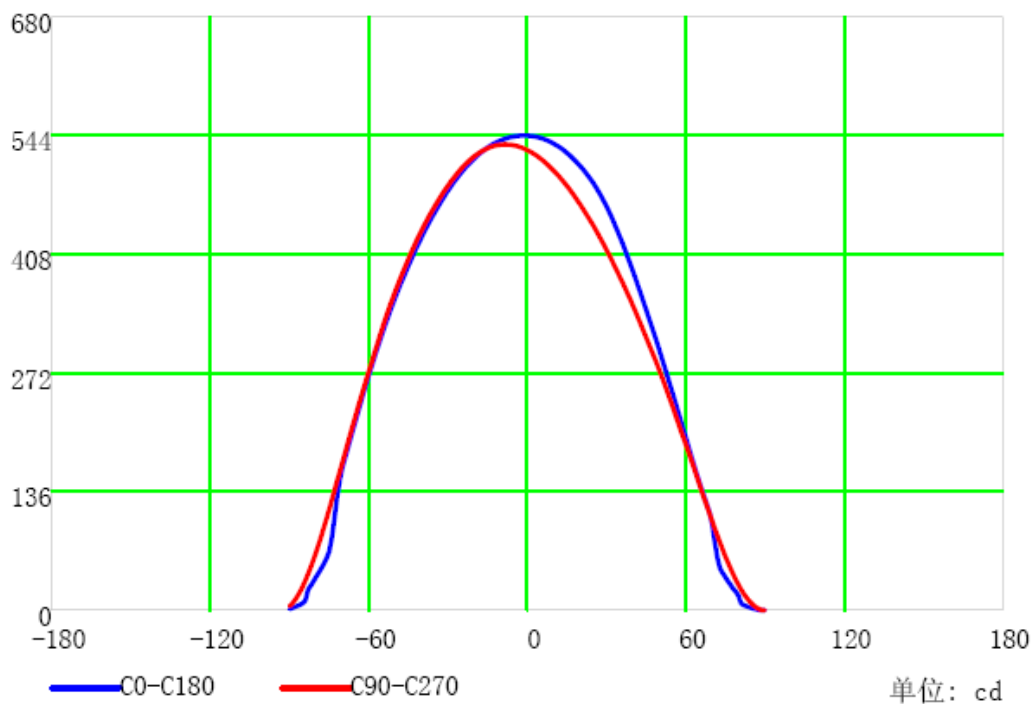
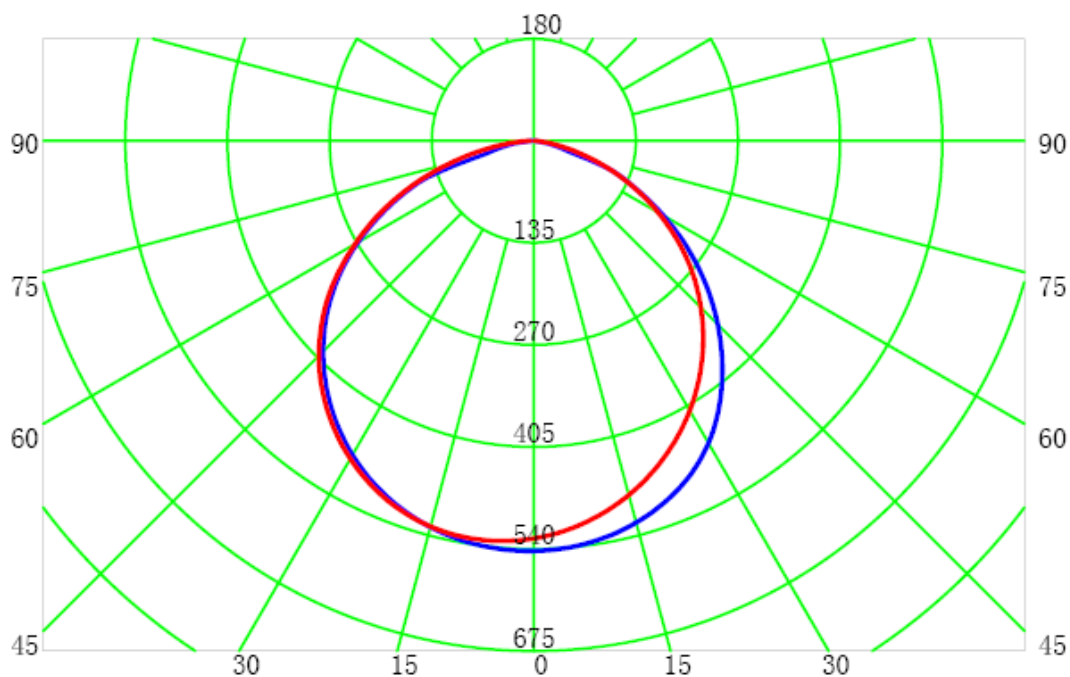
三、Parameters				
Model No.	Input Voltage	Range of input voltage	Range of CCT	
<input type="checkbox"/> ONN-M9-B1	AC/DC 24V	AC/DC 24±2V	5500-6000K	
<input type="checkbox"/> ONN-M9-B2	AC/DC 24V	AC/DC 24±2V	4000-4500K	
<input type="checkbox"/> ONN-M9-C1	AC220V (50/60Hz)	AC100-240V (50/60Hz)	5500-6000K	
IP rating:	IP65/IP67	Range of CCT:	5500-6000K	4000-4500K
Luminous efficiency:	90-100Lm/W	CRI:	≥ 80	
Drive:	Isolation	PF:	≥ 0.9	
Working temperature:	< 60°C	Beam angle:	120°	
Life spans:	50 000H	installation:	Fixed by light clips or plastic plugs	
<input type="checkbox"/> ONN-M9-C2	AC220V (50/60Hz)	AC100-240V (50/60Hz)	4000-4500K	
Length of power line:	<input checked="" type="checkbox"/> 0.55M(Standard)		<input type="checkbox"/> _____	
Installation:	<input type="checkbox"/> T shape light clips		<input type="checkbox"/> fixed by plastic plugs	
Length:	<input type="checkbox"/> 300 mm	<input type="checkbox"/> 400 mm	<input type="checkbox"/> 600 mm	<input type="checkbox"/> 800 mm
Power:	7 W	12 W	16 W	20 W
Input Current:	(24V) 300mA (220V) 32mA	(24V) 470mA (220V) 55mA	(24V) 690mA (220V) 75mA	(24V) 840mA (220V) 90mA
Luminous Flux:	665Lm	998Lm	1498 Lm	1997 Lm

四, Environmental Requirements:

Working temperature:	-20~45°C
Save temperature:	-40~70°C
Working humidity:	10~90%
Save humidity:	10~90%

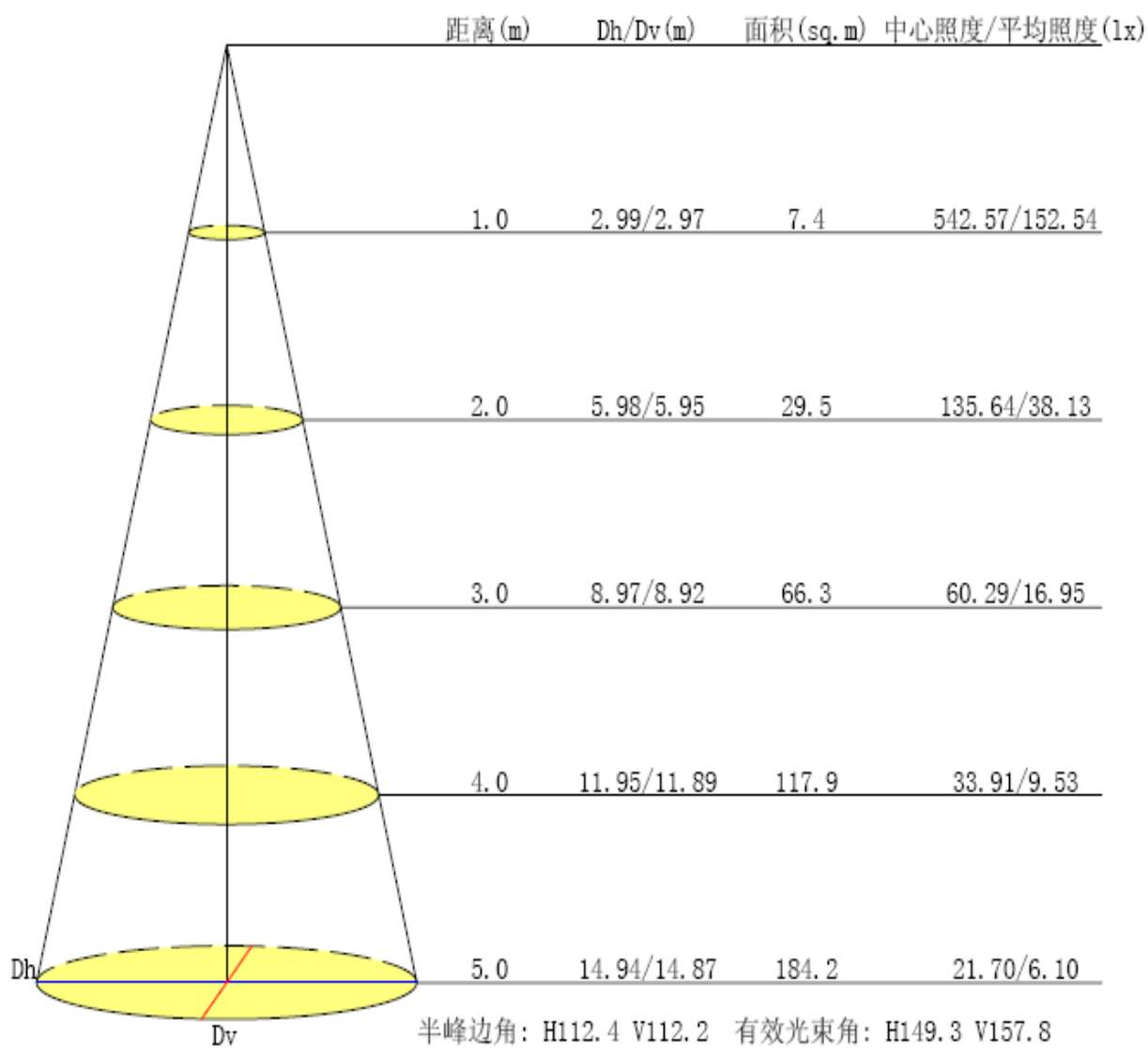
五、Picture of light distribution curve:

配光曲线



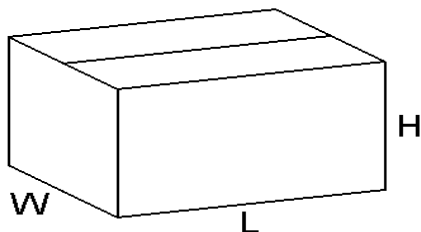
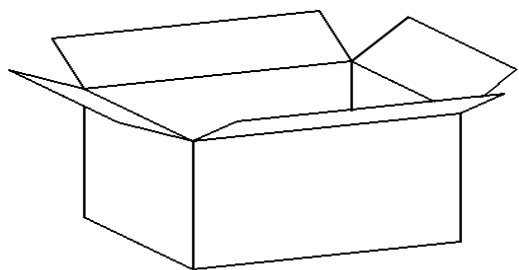
六、The table of average illumination:

照度距离关系图

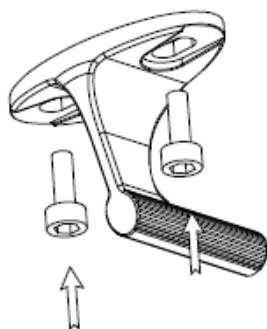


七、Packing:

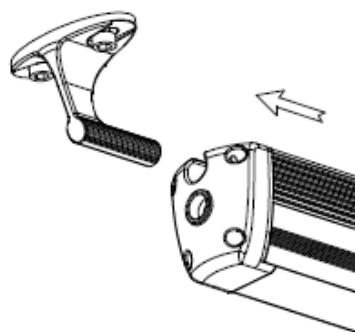
Packing material	cartons			
Size of products (MM)	300	400	600	800
N/W of one light (Kg)	0.53	0.705	1.02	1.22
G/W of total cartons (Kg)	15.5	10.5	15.5	13.5
Qty in carton (PCS)	24	12	12	9
Size of inner box (L*W*H) mm	780*285*233	580*285*233	780*285*233	990*210*233
Size of outer carton (L*W*H) mm	770*60*70	570*60*70	770*60*70	970*65*70


八、Installation
1、fixed by light clips:

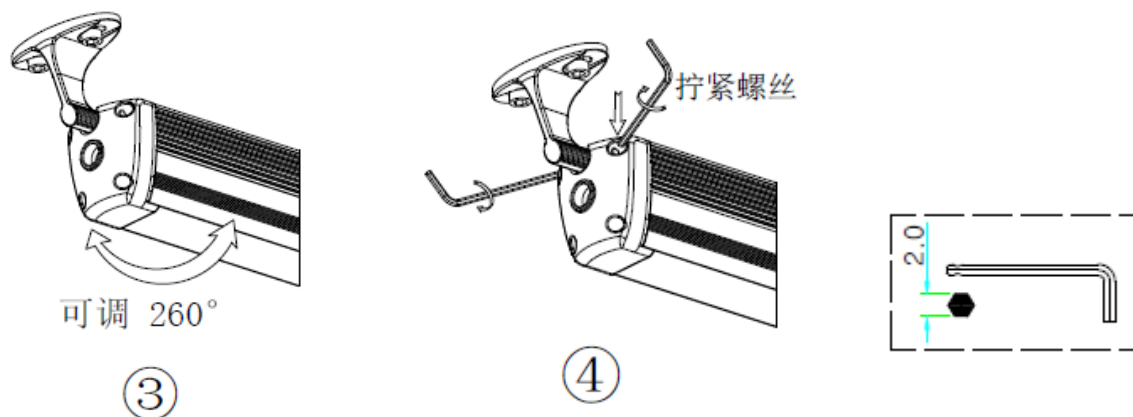
- 1) Place of light clips fixed (picture 1);
- 2) The clips mount into tank of light (picture 2);
- 3) Adjust angle of the light according needs (picture 3);
- 4) After adjusting the angle, screw the side by hexagonal wrench. (picture 4)。



①

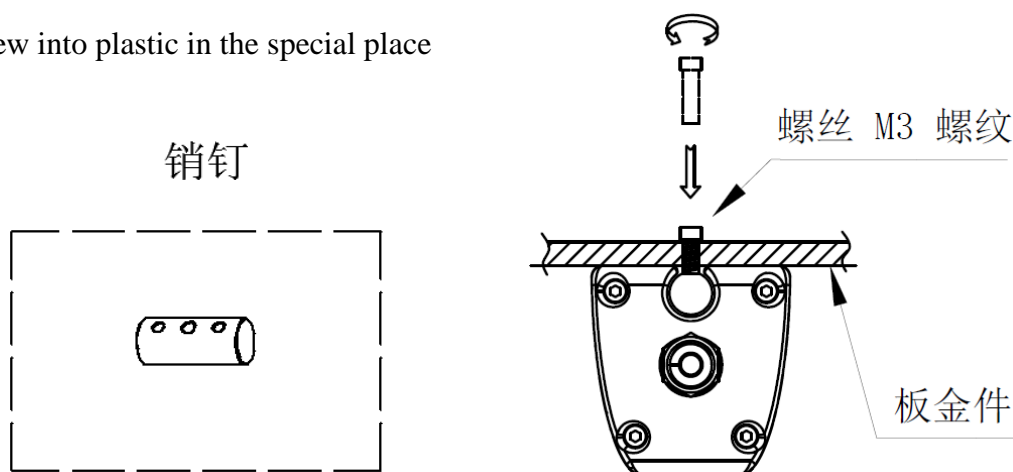


②



2、install by plastic plugs:

- 1) The plug mount into the back tank.
- 2) Make a hole in special place.
- 3) Screw into plastic in the special place
- 4)



九、Repair list:

- 1、The warranty of the products is 18 months. If broken in natural within the warranty, please bring invoice and date in the light to repair free.
- 2、The following cases are not covered by the warranty, service charges paid by:
 - (1) Altered fixture dates
 - (2) The broken is because of improper use by user;
 - (3) The body of light and bundled products is broken or lost can't warranty;
 - (4) The broken reason is not natural, such broken by wrong input voltage and set up to lead to light can't work;

(5) Dismantle and repair have not agree with factory, repair and alter by the other repair person not in authorized service station;

(6) The broken is caused by fires, earthquakes, floods, lightning or other natural disasters, pollution and abnormal voltage.

(7) Lights need to repair because rodents, salt spray, corrosion.

3、Exceed warranty period, repair will be charge fees as standard. Service charge = repair fees + material fees + freight fees.