

Data Sheet

Name: Led Tower light

Model: ONN-M4S-L

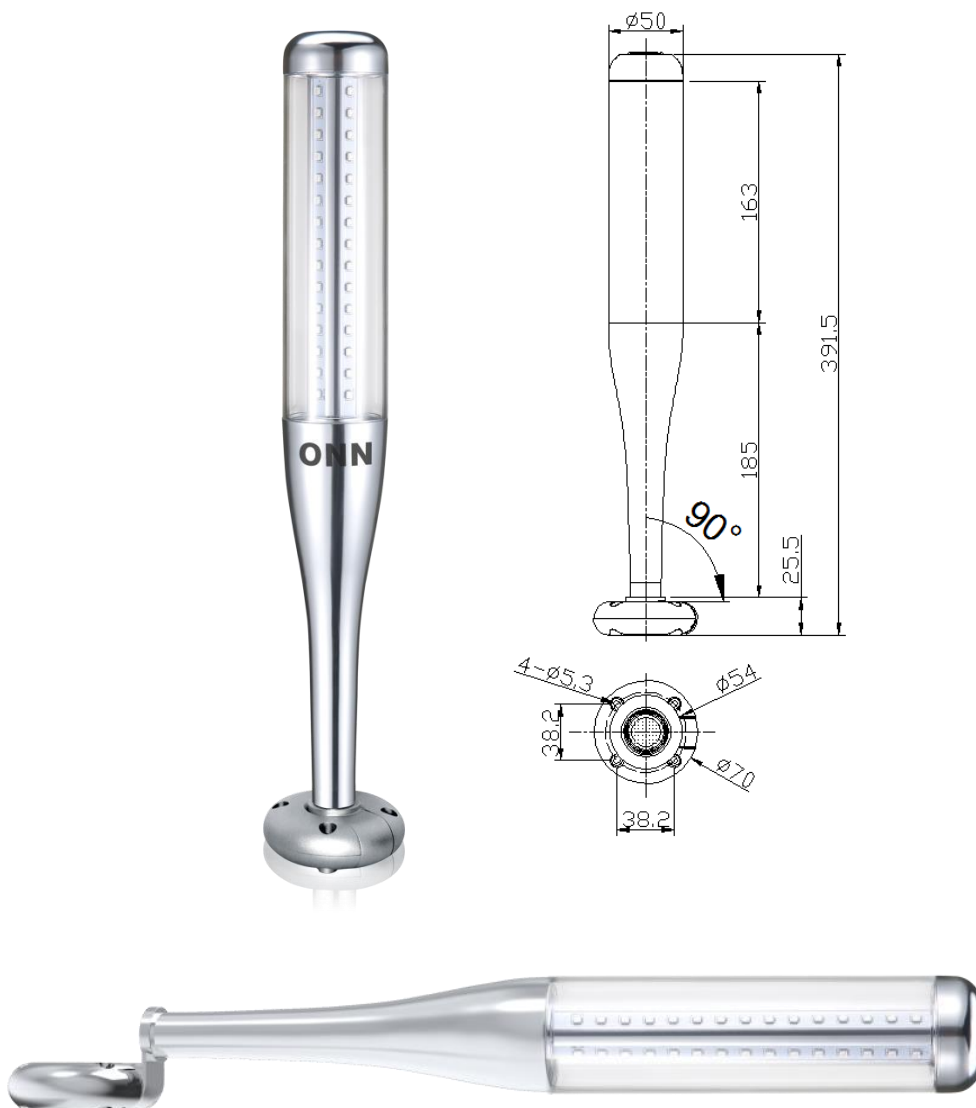
Launched Date: March, 2nd 2017

Version: V0

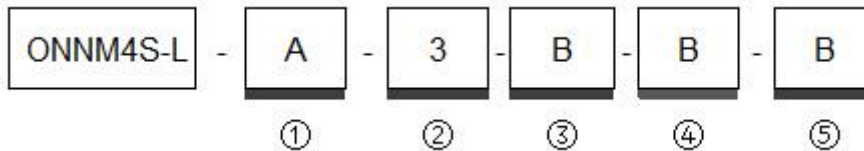
Part 1: Descriptions

1. Delicate structure, simple and beautiful, competitive price;
2. The radiating of light is good, to insure the life spans of products;
3. China famous power.

Part 2: Dimensions



Part 3: Specification

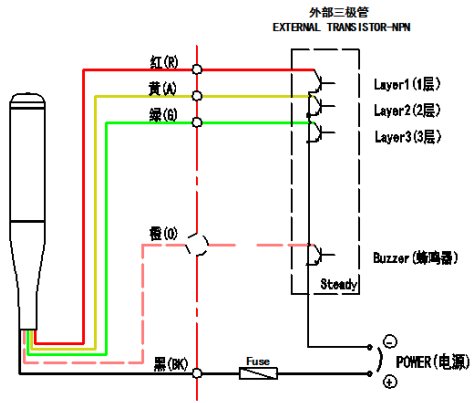


① Shape	
A	Base ball
② Number of Layers	
3	one layer
③ Voltage	
B	DC 24V
④ Connect type	
C	Contact type
Z	NPN
B	PNP
⑤ Functions	
B	Steady
F	Steady with buzzer
S	Red flash
C	Red flash with buzzer
D	All flash
E	All flash with buzzer

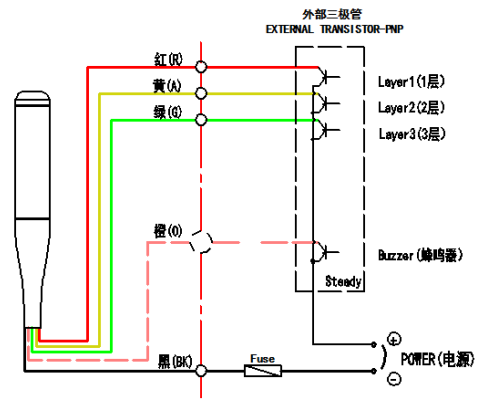
Part 4: Parameters

Model No.:		M4S-L			
Input voltage	DC24V	Input Current	60~200mA	Power	Single color: 1.2~2.4 W Total power: 5W
IP rating	IP50	Length	□0.5M □ _____		
Special request:					

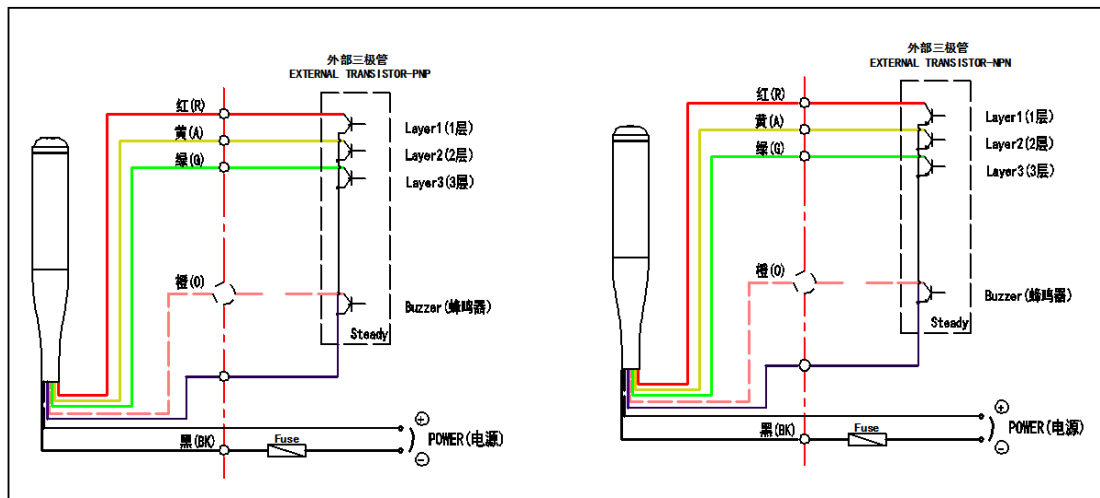
Brand	ONN , Shenzhen ONN Semi-conductor
Light	Chips 3528 LED 0.06W/pcs
Life spans	Life spans of light is 100000 hrs; the whole light life: 50000 hrs
Beam angle	Single light 120 degree, The whole light 360 visible
Original place	Shenzhen China
Shape design	Baseball bat type, Smooth curve over Advanced plating,
Color of light body	silver
Material	Aluminum



⑥接线方式(Connect type): Z、共正 (NPN)



⑥接线方式(Connect type): B、共负 (PNP)



⑥接线方式(Connect type): C、触点式 (contact type)

Part 5: Working environment

Working temperature:	-20~45℃
Storage temperature:	-40~70℃
Working humidity:	10~90%
Storage humidity:	10~90%

Part 7: Package

Packing material	Carton
N/W of one light (Kg)	0.55
G/W of total cartons (Kg)	8.96
Qty in carton (PCS)	12
Size of inner box (L*W*H) mm	418*83*83mm
Size of outer carton (L*W*H) mm	440*265*345mm

Part 8: After-sales Service

Warranty is 24 months. If broken in natural within the warranty, please bring invoice and date in the light to repair free.

The following cases are not covered by the warranty, service charges paid by:

- (1) Altered fixture dates
- (2) The broken is because of improper use by user;
- (3) The body of light and bundled products is broken or lost can't warranty;
- (4) The broken reason is not natural, such broken by wrong input voltage and set up to lead to light can't work;
- (5) Dismantle and repair have not agree with factory, repair and alter by the other repair person not in authorized service station;
- (6) The broken is caused by fires, earthquakes, floods, lightning or other natural disasters, pollution and abnormal voltage.
- (7) Lights need to repair because rodents, salt spray, corrosion.

3、Exceed warranty period, repair will be charge fees as standard. Service charge = repair fees + material fees + freight fees.