

## ONN-M4S-A LED Warning Light

### Introduction:

1. Baseball pole shape design, elegant and beautiful.
2. Use PC lens and aluminum body, yellowing prevent and durable.
3. High brightness LED chip with transparent lens, better visual effect.
4. Foldable base, very convenient when moving and packing machine.
5. Flexible installation disc (360 degree rotatable) to control folding direction.
6. 4 holes' disc and 3 holes' disc are optional.

**Application:** CNC machine, Automatic equipment ,SMT equipment etc.

**Warranty:** 2 years

**Certification:** CE, RoHS

### Ordering code:

ONN - M4S-A	<u>A</u>	<u>4</u>	<u>B</u>	<u>B</u>	<u>B</u>	<u>RYGB</u>
	1	2	3	4	5	6
1.Lamp shape	A: Baseball pole shape					
2. Color	1: Single layer, 2.Two layers, 3.Three layers, 4. Four layers, 5, Five layers					
3. Voltage	B: DC24V					
4.Connect type	C: Contact type, B: PNP, Z:NPN					
5.Function	B: Steady, F: Steady with buzzer, S: Red flash, C: Red flash with buzzer, D: All flash, E: All flash with buzzer					
6. Color	R: Red, Y: Yellow, G:Green, W:White, B:Blue					

### Parameter:

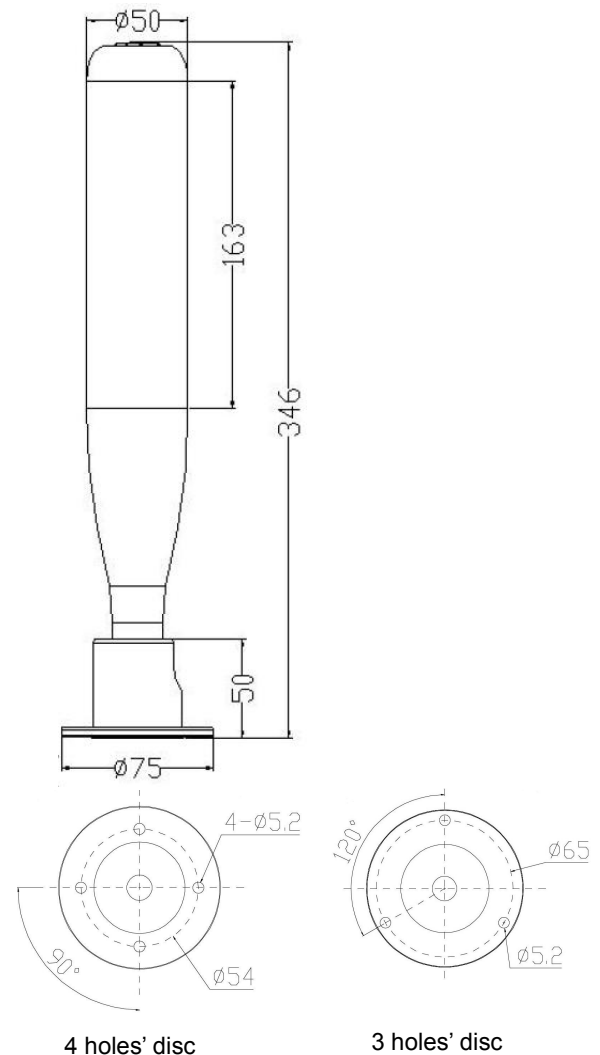
Max power	6W
Input voltage	DC24V
Input current	R:40mA Y:90mA G:30mA B:30mA W:40mA Buzzer: 10mA
Working Temperature	-20~45°C
IP rating	IP50
Material	PC lens and Aluminum body
Lifetime	50,000 hours
Installation	Fixed by screw

Remind: Some models are rarely required on market, please confirm lead time with us before placing an order.

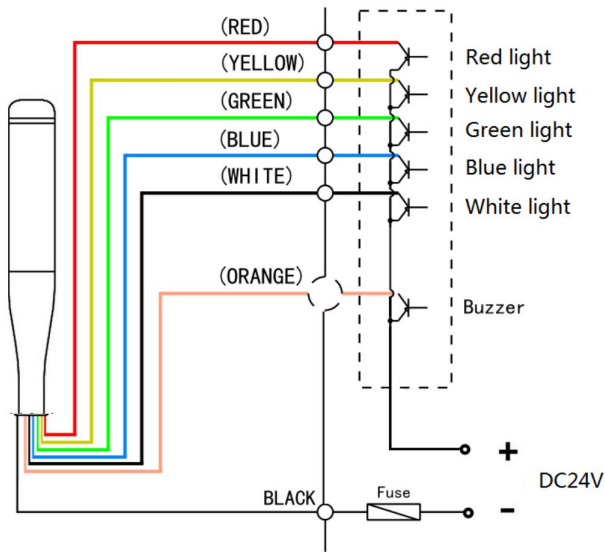


360°rotatable

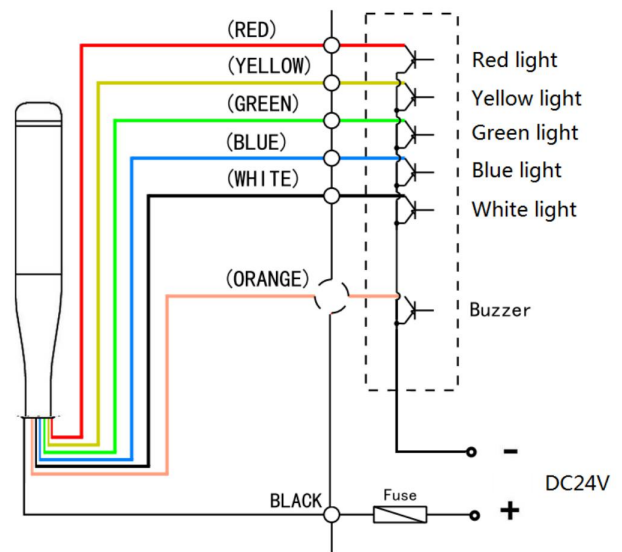
### Dimension(mm):



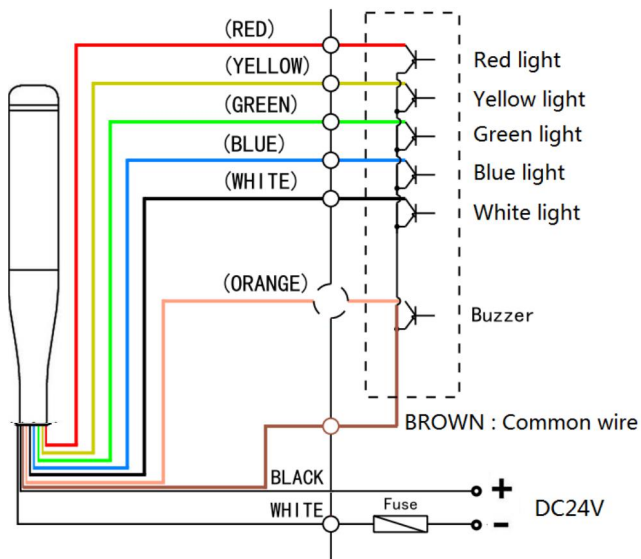
### Wiring instruction:



PNP



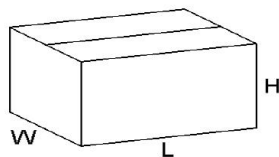
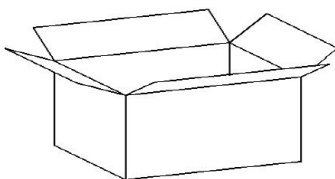
NPN



Contact type

### Package info.:

Item No.	Qty/carton	Carton size	Total NW.	Total GW.
ONN-M4S-T	12 pieces	440*270*350mm	7.2kg	9.5kg



### Shenzhen Onn Semi-conductor lighting Co.,Ltd

Tel: +86-755-29566540 Fax: +86-755-27871421 Web: www.onlion88.com

Add: Haofeng Industrial Park NO.2 Zone, Xinhe, Bao'an District, Shenzhen, China.