

Product specification

Name : ONN-LED Warning light

Model : ONN-M4 series

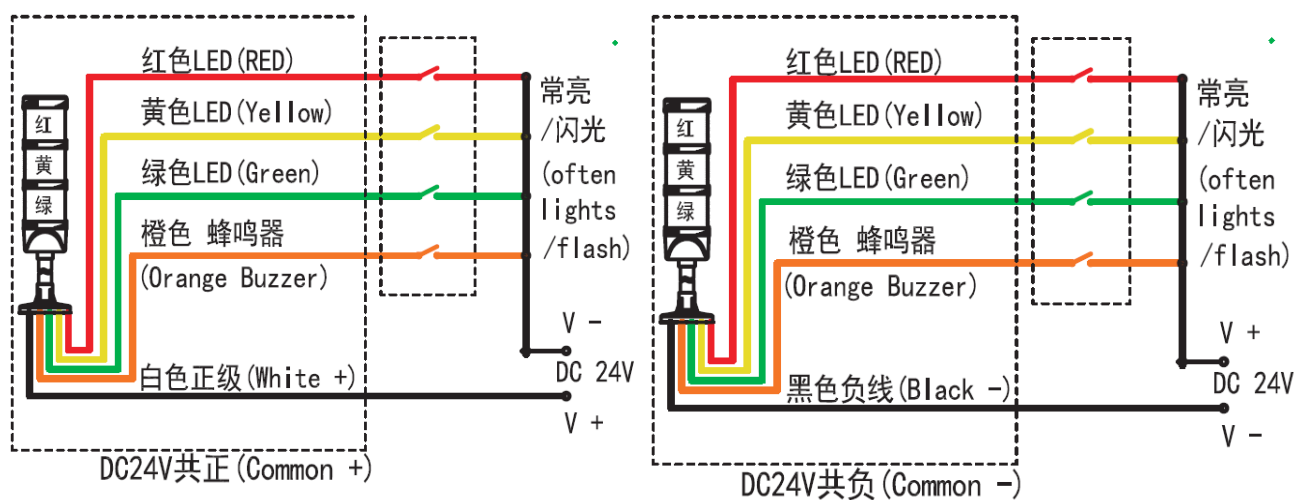
Version : A0

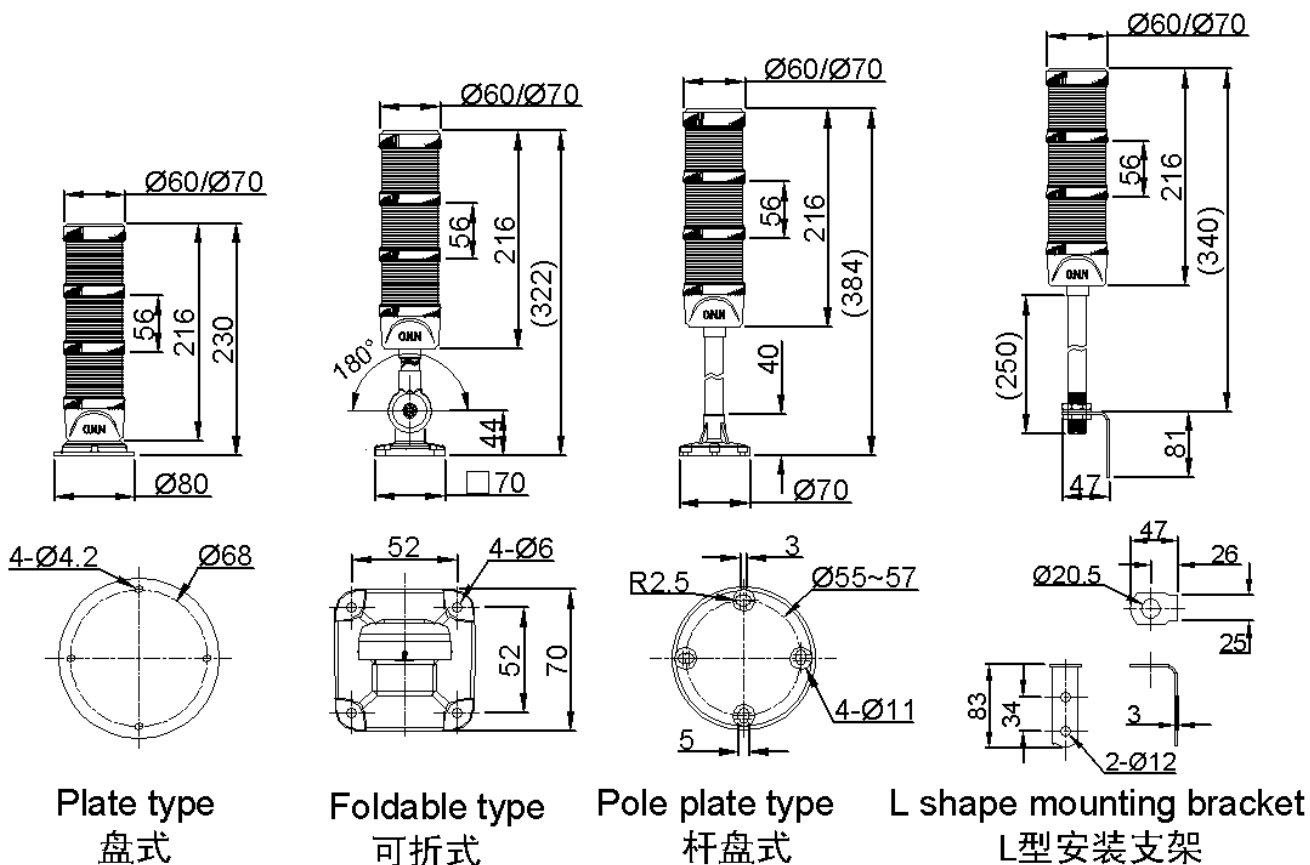
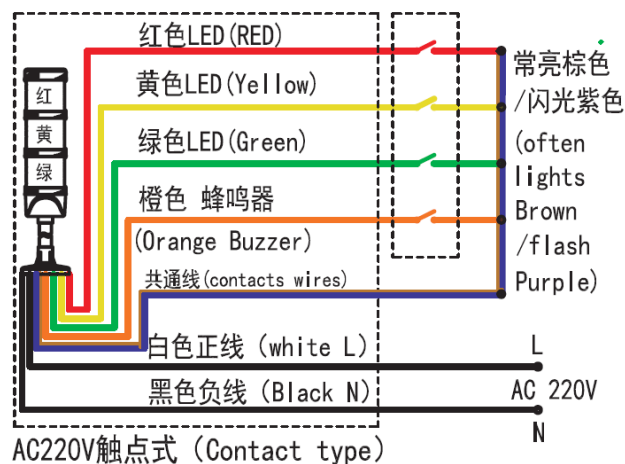
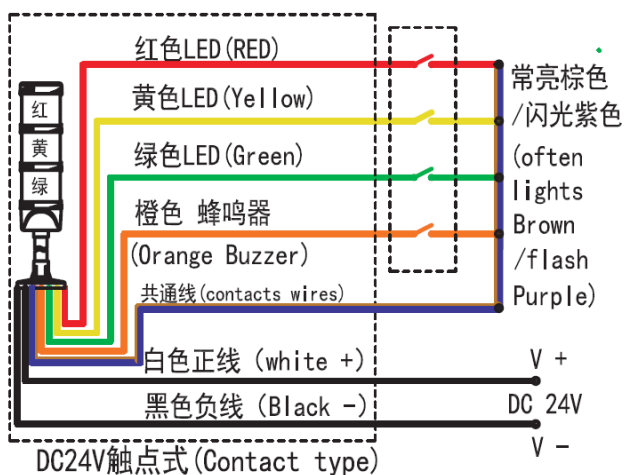
Date : 2015-01-28

一、Products introduce:

1. Elegant structure, simple and beautiful, super high price performance;
2. With excellent heat dissipation, make sure the product lifetime;
3. Used domestic famous power supply, make sure the lifespan up to 3 years.

二、photos and wiring diagram, installation drawing





三、Product coding principles:

ONNM4- 3 A A B C - RYGBW - 60	
① ② ③ ④ ⑤ ⑥ ⑦ ⑧	
① Brand Type	ONNM4
② Layer	1、Single color 2、Two-color 3、Three-color 4、Four-color
③ Installation	A、Foldable B、Wall-mounted C、Disc bar D、Disc E、L-shape plate type
④ Input voltage	A、DC12V B、DC24 C、AC220V
⑤ Functions	B、Continuous light F、Continuous light with buzzer S、Red flash C、Red flash with buzzer D、All colors flash E、All colors flash with buzzer
⑥ Wiring	C、Contact type Z、Power direct input type (Positive) B、Power direct input type (Negative)
⑦ Lamp color order	Color order from top to bottom R:Red Y:Yellow G:Green W:White B:Blue
⑧ Lampshade diameter	60、Diameter Φ60mm 70、Diameter Φ70mm

四、Technical parameter

Lamp model					
voltage	DC24V	Input current	60~200mA	Power	4.5W.
IP Class	IP53	Length of cable	<input type="checkbox"/> About 0.5M <input type="checkbox"/> _____	body color	<input type="checkbox"/> Black <input type="checkbox"/> Gray
Layer	<input type="checkbox"/> Multi-color, multi-layers <input type="checkbox"/> Single layer		Print mark	<input type="checkbox"/> Client's LOGO <input type="checkbox"/> ONN's LOGO	
Special requirement:					
Brand	ONN, ONN Shenzhen Semiconductor Lighting Co., Ltd. honor products				
Light source	Chip 3528 LED 0.06W/pcs				
Lifespan	Light source lifespan up to 100000hrs; Whole lamp lifetime is 50000hrs.				
Beam angle	360°				
CCT range	With different requirement by clients, you can choose: Red, yellow, green, blue, white. Most can provide 4 colors.				
Place of origin	Shenzhen, China				

五、Product appearance

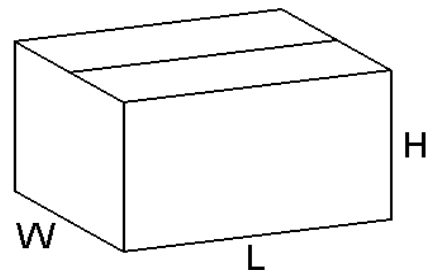
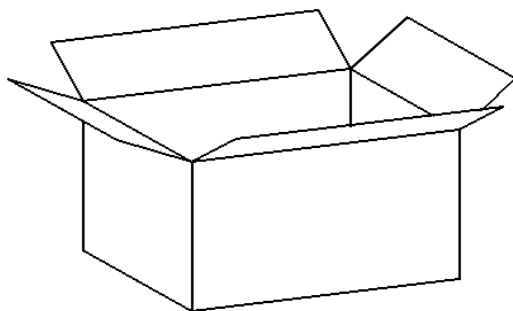
Appearance design	Round Modular Shades
Color of lamp body	Black or computer grey With blue backlight logo's color: Red, Yellow, Green, Blue, White (Single layer Multi-color).
Material	PC (Bulletproof plastic)、Engineering plastics, etc.

六、Environmental Requirements:

Working temperature:	-20~45℃
Save temperature:	-40~70℃
Working humidity:	10~90%
Save humidity:	10~90%

七、Packing:

Packing material	Tri-color tri-layer (Foldable type/pole plate type)	M4 Tri-layer multi-colors (Plate type)	M4 Tri-color tri-layer (L-shape plate type)	M4 four layer four colors (Pole plate type)
Net weight/pc (Kg)	0.325	0.3	0.45	0.315
Gross weight/CTN (Kg)	6.1	5.8	7.6	6
Quantity/CTN(pcs)	12	12	12	12
Inner box(L*W*H)mm	415*80*80mm	415*80*80mm	415*80*80mm	510*90*75mm
Carton size(L*W*H)mm	440*265*345mm	440*265*345mm	440*265*345mm	580*280*233mm



八、Repair list:

- The warranty of the products is 18 months. If broken in natural within the warranty, please bring invoice and date in the light to repair free.
- The following cases are not covered by the warranty, service charges paid by:
 - Altered fixture dates
 - The broken is because of improper use by user;
 - The body of light and bundled products is broken or lost can't warranty;
 - The broken reason is not natural, such broken by wrong input voltage and set up to lead to light can't work;
 - Dismantle and repair have not agree with factory, repair and alter by the other repair person not in authorized service station;
 - The broken is caused by fires, earthquakes, floods, lightning or other natural disasters, pollution and abnormal voltage.
 - Lights need to repair because rodents, salt spray, corrosion.
- Exceed warranty period, repair will be charge fees as standard. Service charge = repair fees + material fees + freight fees.