

LED Warning Light ONN-M4-50

Introduction:

1. Traditional design, can do R,R,Y,R,G,R,Y,G color combination.
2. Buzzer optional, volume louder than 85dB.
3. High brightness LED chip, long lifetime and low decay.
4. Three kinds of base are available, easy to install.
5. Pole length can be customized.

Application: CNC machine, Automatic equipment , SMT equipment etc.

Warranty: 2 years

Certification: CE, RoHS, FCC

Ordering code:

ONN - M4- <u>3</u> <u>A</u> <u>B</u> <u>B</u> <u>I</u> <u>RYG</u> <u>50</u> (W)								
	1	2	3	4	5	6	7	8
1.Layer	1. One Layer 2. Two Layers 3. Three layers							
2. Mounting type	A: Foldable type, C: Pole and plate E: L bracket							
3. Voltage	A: DC12V, B: DC24V, C: AC100-240V(50/60Hz)							
4.Function	B: Steady, F: Steady with buzzer, S: Red flash, C: Red flash with buzzer, D: All flash, E: All flash with buzzer							
5.Connect type	C: contact type, T: PNP& NPN							
6. Color	RYG, RY, RG, R							
7. Diameter	50: ϕ 50mm							
8. Body Color	(W). White (B) Black							

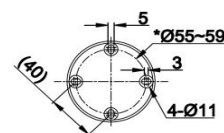
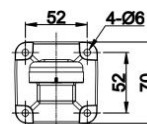
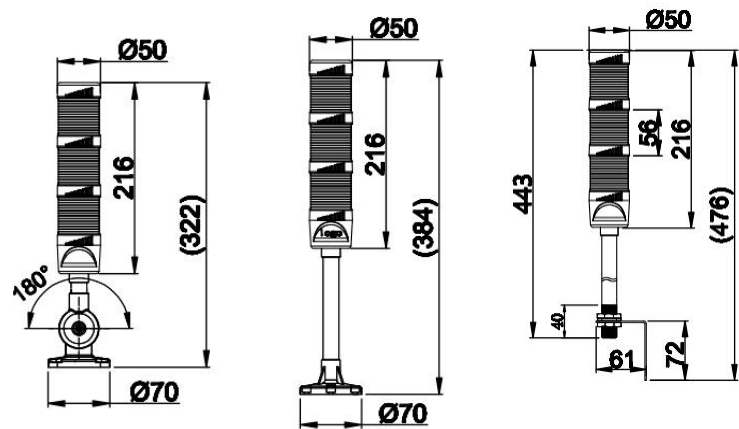
Only 12V or 24V are available for NPN&PNPN.

Parameter:

Power	1.4W for each color
Input voltage	DC12V, DC24V, AC100-240V(50/60Hz)
Current	60-70mA for each color
Working Temperature	-20~45°C
IP rating	IP53
Buzzer volume	>85dB
Material	PC lens, ABS body, Aluminum pole
Lifetime	50,000 hours
Installation	Fixed by screw or bracket
Cable	0.5M (24AWG)



Dimension(mm):



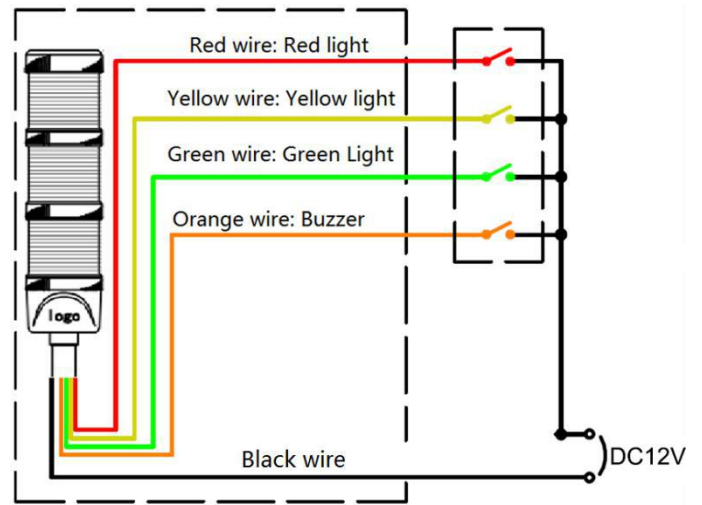
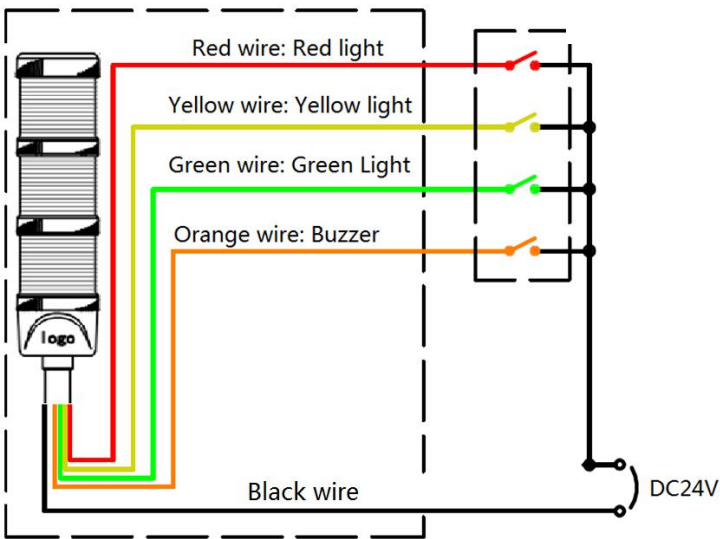
A. Foldable type

C. Pole and plate type

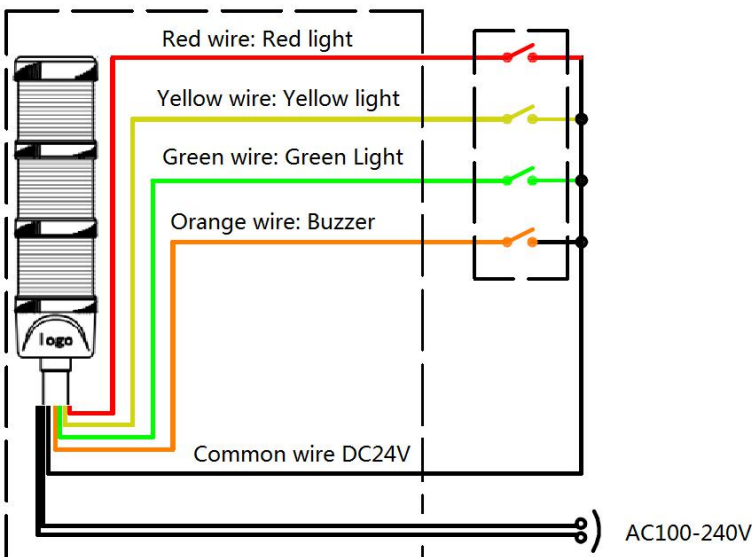
E. L bracket type

Wiring instruction:

PNP & NPN



Contact type



Package info.:

Item No.	Qty/carton	Carton size	Total NW.	Total GW.
M4-50-3 layers	12 pieces	440*270*350mm	5.4kg	7.6kg