

# Specifications

Product Name : LED Warning Light

Model : ONN-M4-1

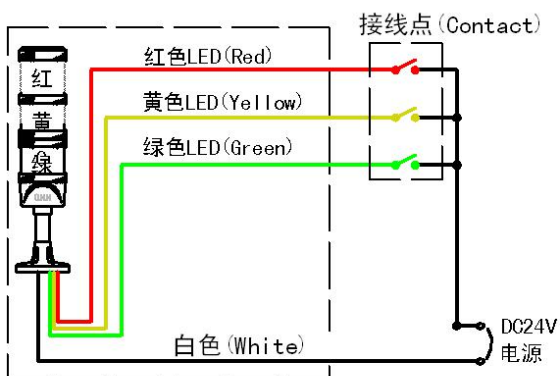
Date : 2016-8-26

Version : A 0

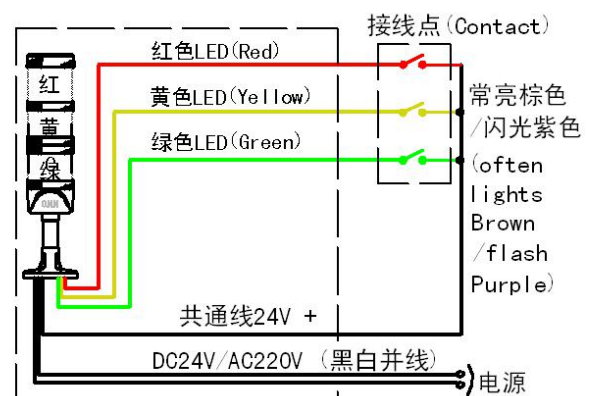
## Introduction:

1. Exquisite appearance with design patents, multiple functions, high cost performance.
2. Adopt high brightness LED chip, wider angle, low thermal resistance, Color area concentrated, low brightness decay with a long life span.
3. The whole structure design features good heat dissipation, high quality driver guarantees a long life time entirely.
4. A reasonable layout of internal electronic components, strictly ensure a high efficient work state.

## Standard picture/size/wiring diagram:

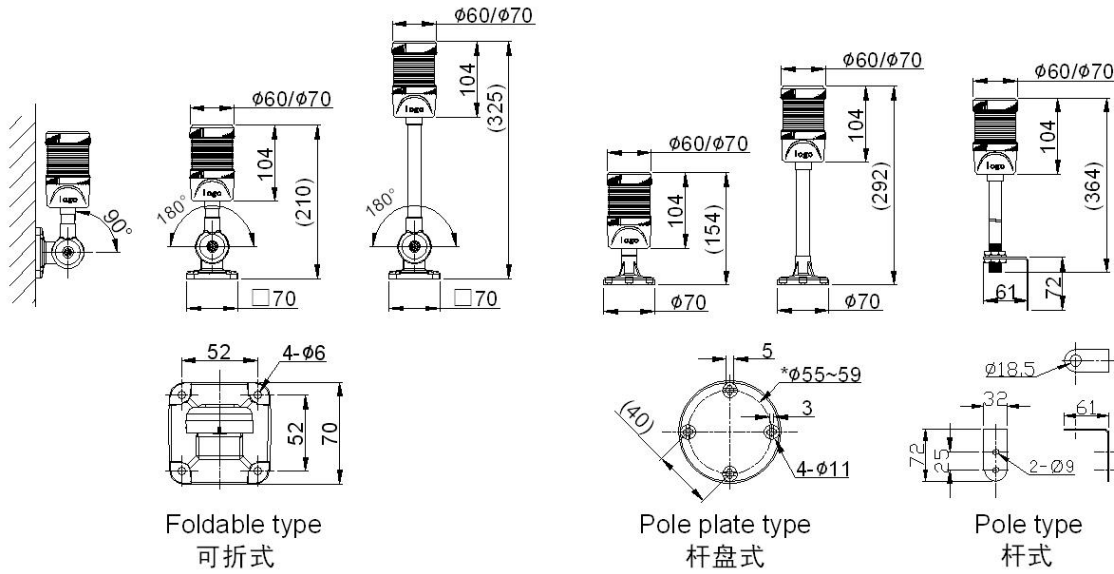


DC24V 不分正负极 (PNP/NPN)



DC24V/AC220V触点式 (Contact type)

## Shenzhen Onn Semi-conductor lighting Co.,Ltd



Foldable type  
可折式

Pole plate type  
杆盘式

Pole type  
杆式

### Product Principle:

ONNM4- 1 A A B C - RYG - 60							
1	2	3	4	5	6	7	8
1 Brand	ONN-M4-1						
2 Layer	1. One layer single color/multicolor						
3 Mounting	A. Foldable type B. Pole plate C. Short pole plate						
4 Voltage	A. DC12V B. DC24 C. AC220V D.AC110V(contact type)						
5 Function	B. Steady F. Steady with buzzer S. Red flash C. Red flash with buzzer D. All flash E. All flash with buzzer						
6 Wiring	C. Contact type T. Direct Input ( PNP/NPN )						
7 Colors	Color sequence from top to bottom: Red Yellow Green White Blue						
8 Cover Dia.	60. Φ60mm 70.Φ70mm						

### Shenzhen Onn Semi-conductor lighting Co.,Ltd

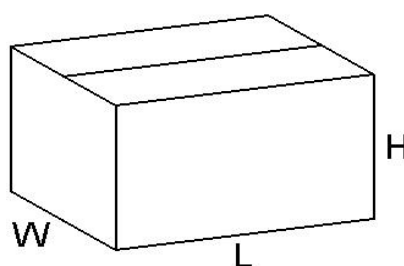
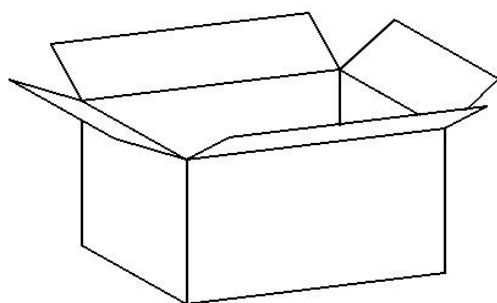
Tel: +86-755-36631969 Fax: +86-755-27871421 Web: www.onnled.net  
 Add: F, Haofeng Industrial Park NO.2 Zone, Xinhe, Bao'an District, Shenzhen, China.

**Data sheet:**

Model		ONN-M4-1 Led Warning light			
Voltage	DC24V AC220V	Input current	60mA~200mA	Power	1.4W~5W
Ingress Protection	IP53 not waterproof	Wire output	<input type="checkbox"/> 0.5m <input type="checkbox"/> _____	Body color	<input type="checkbox"/> Black <input type="checkbox"/> Gray
light source	SMD2835	Lifespan	50,000hrs	Surface Temperature	<50℃
Buzzer	90dB	Flash frequency	60-70/min	Material	Lamp cover: PC Housing: ABS Pole: AL Alloy
Emitting angle	360°	Color	R/Y/G	Logo	<input type="checkbox"/> Customer <input type="checkbox"/> Neutral <input type="checkbox"/> Onn
Layer	<input type="checkbox"/> Multicolor in one layer <input type="checkbox"/> Single layer single color				

**Package**

Package	Three layers (Foldable)	Three layers (Pole Plate)	Four layers (L shape sheet)
Net weight (Kg)	0.325	0.3	0.45
Carton Gross weight(Kg)	6.1	5.8	7.6
Qty in one carton(PCS)	12	12	12
Inner package size (L*W*H) mm	415*80*80mm	415*80*80mm	415*80*80mm
Outer package size (L*W*H) mm	440*265*345mm	440*265*345mm	440*265*345mm


**Shenzhen Onn Semi-conductor lighting Co.,Ltd**

Tel: +86-755-36631969 Fax: +86-755-27871421 Web: [www.onnled.net](http://www.onnled.net)  
 Add: F, Haofeng Industrial Park NO.2 Zone, Xinhe, Bao'an District, Shenzhen, China.

## Repair Rule:

1. The warranty of the products is 24 months. If broken in natural within the warranty, please bring invoice and date in the light to repair free.
2. The following cases are not covered by the warranty, service charges paid by:
  - (1) Altered fixture dates
  - (2) The broken is because of improper use by user;
  - (3) The body of light and bundled products is broken or lost can't warranty;
  - (4) The broken reason is not natural, such broken by wrong input voltage and set up to lead to light can't work;
  - (5) Dismantle and repair have not agree with factory, repair and alter by the other repair person not in authorized service station;
  - (6) The broken is caused by fires, earthquakes, floods, lightning or other natural disasters, pollution and abnormal voltage.
  - (7) Lights need to repair because rodents, salt spray, corrosion.
3. Exceed warranty period, repair will be charge fees as standard. Service charge = repair fees + material fees + freight fees.