

LED Magnet Work Light ONN-M3MR

Introduction:

1. ONN-M3MR is a convenient LED work light which is ideally designed as a lathe lighting.
1. 410mm Flexible gooseneck arm and magnetic base, very convenient for positioning lamp and control the lighting area.
2. Variety of input voltages optional to fit different applications, AC100-240V50/60Hz, AC/DC12V, AC/DC24V.

Application:

CNC machine work: engraving machine, EDM machine etc.
 Assembly and repair work.
 Point Lighting.
 Laboratories.

Warranty: 2 years

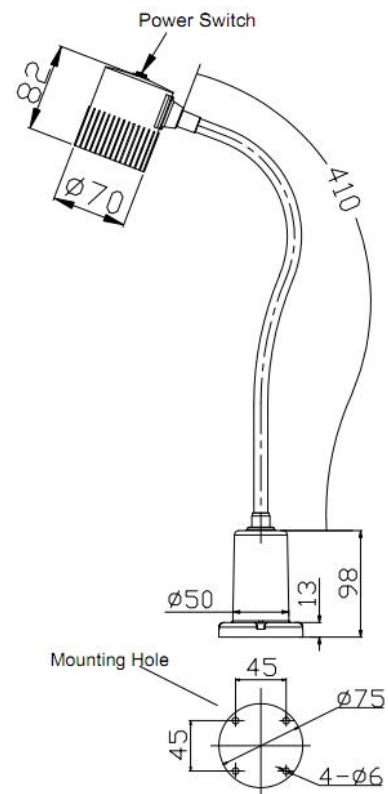
Certification: CE, RoHS, TUV, FCC

Ordering code:

ONN M3MR - B 1 4.5W

Model No.	Power: 4.5W
Voltage: A. AC/DC12V B. AC/DC24V C. AC100-240V	Color temperature 1.6000-6500K (Cool white) 2.4000-4500K (Natural white) 3.2800-3200K (Warm white)

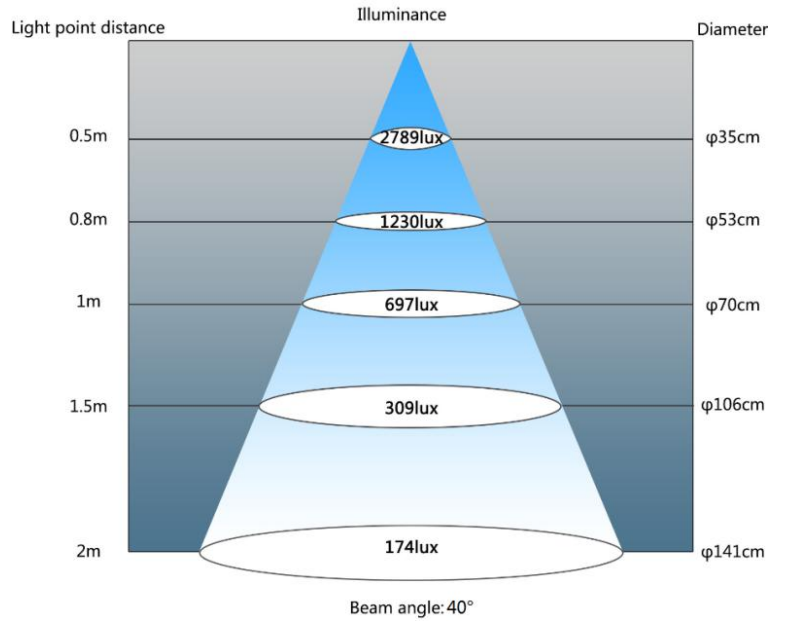
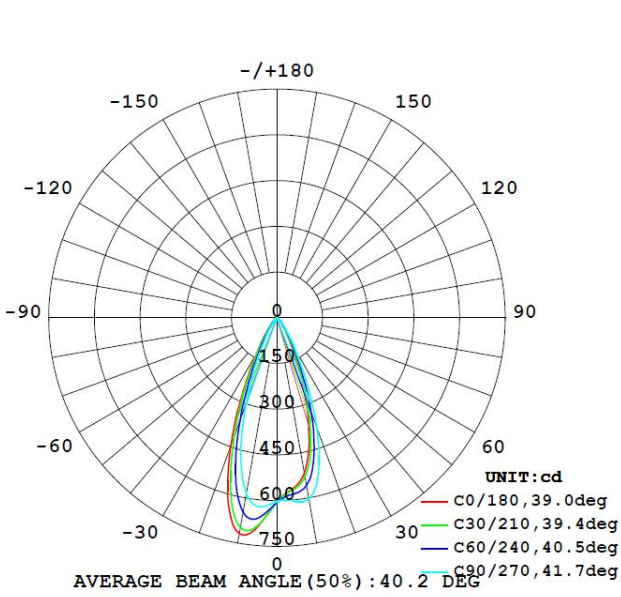
Dimension(mm):



Parameter:

Power	4.5W
Input voltage	AC100-240V(50/60Hz), AC/DC24V, AC/DC12V
Lumen output(Efficiency)	350lm (75lm/w)
CRI	>80
IP rating	IP65
Beam angle	40 degree
Color temperature	2800-3200K, 4000-4500K, 6000-6500K
Material	Aluminum housing , PC lens, Magnet base
Lifetime	50,000 hours
Working temperature/ humidity	-20~45°C / 10%-90%
Storage temperature/ humidity	-20~60°C / 10%-90%
Installation	Fixed by magnet

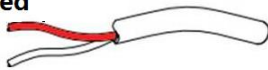
Light distribution data



Wire connection:

DC12/24V Cable

Positive(+): Red



Negative(-): White

AC100-240V Cable

L : Brown



N : Blue

Package info:

Qty/carton	20pcs/carton
Carton Size	L620*W380*H460mm
Net Weight	13kg
Gross Weight	18kg

