

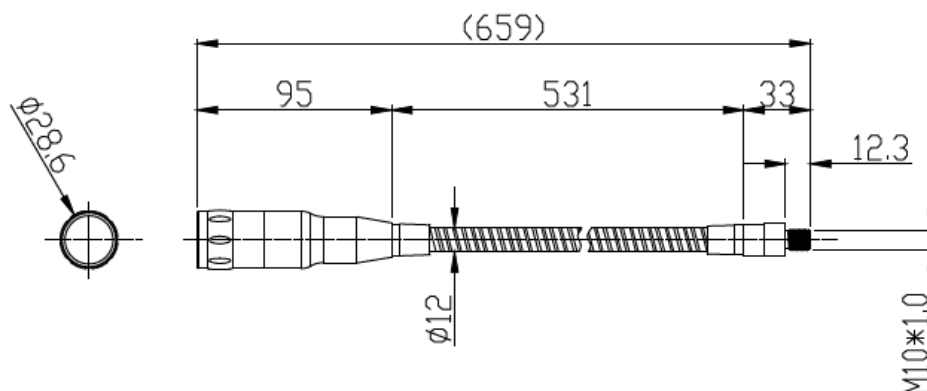
Product Specification

Product Name : ONN-LED Machine Light

Model No. : ONN-M10A Series

Date : 2014-06-18

1. Image and drawing:



Besides 530mm, Gooseneck also has 730mm option.

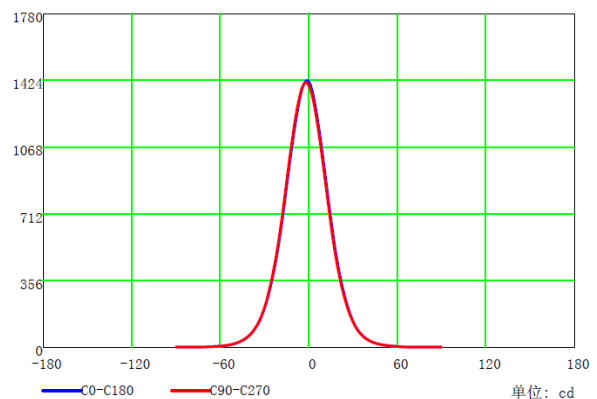
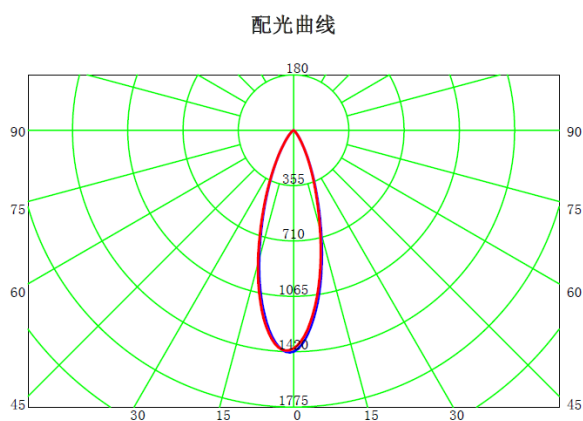
Base options:



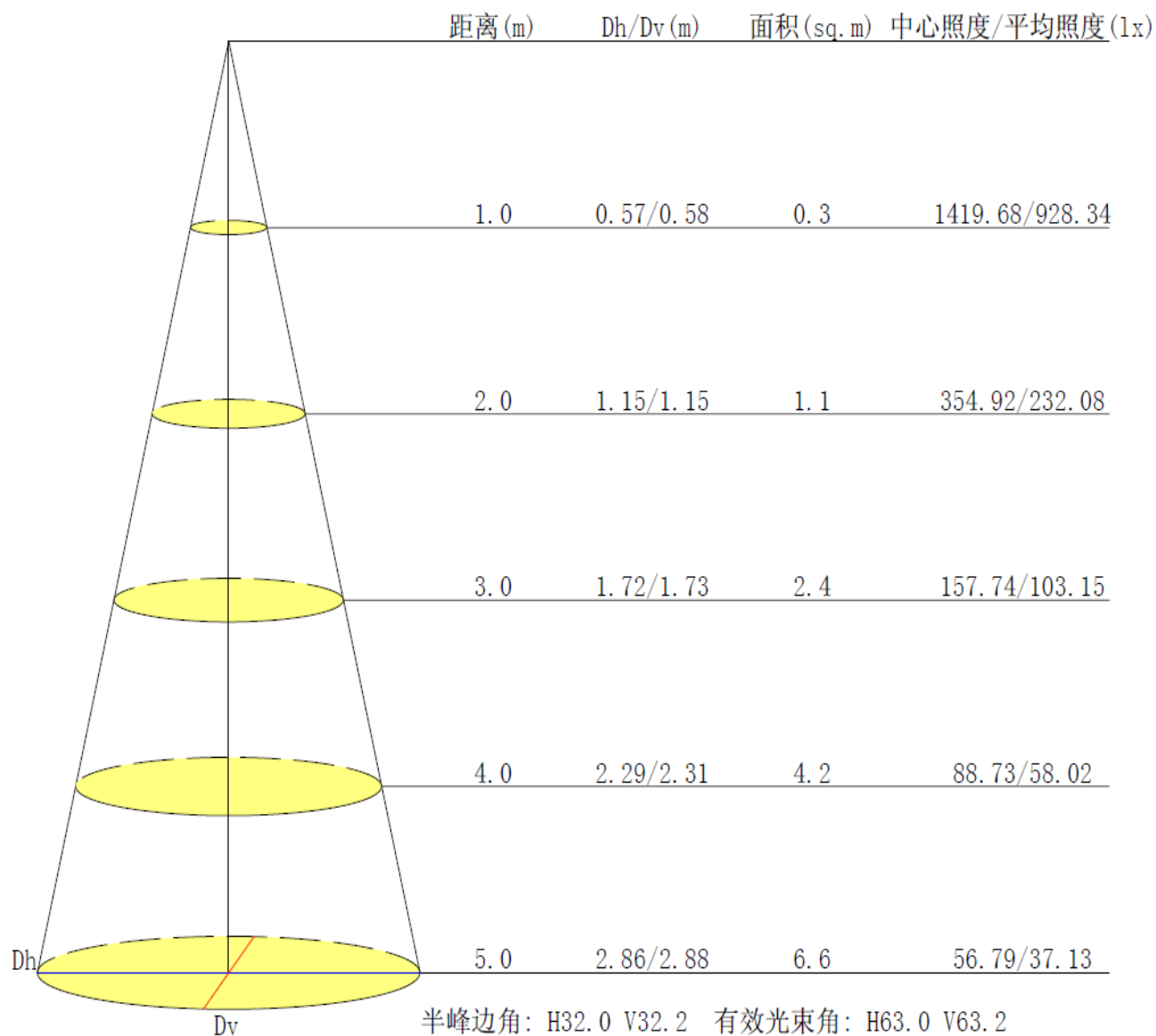
2. Spec Data:

Model	Input Volt	Input Volt	CCT
□ ONN-M10A-B1	AC/DC 24V	AC/DC 24±2V	5500-6000K
□ ONN-M10A-B2	AC/DC 24V	AC/DC 24±2V	3000-3500K
Length of Cable	■ About 0.3M (Standard), no plug fitted.		
Mounting	■ Fixed with screw thread(Standard) ■ By magnet base ■ By PC base		
Consumed Power	2.5W		
Input Current	(24V)180 mA		
Flux	100 Lm		

IP Protection	IP65	CCT	5500—6000K	4000-4500K
Luminous Efficiency	40Lm/W	CRI	≧ 70Ra	
Driver	External, Isolated	PF	≧ 0.9	
Surface temperature	< 60°C	View Angle	15°	
Life span	50 000H			

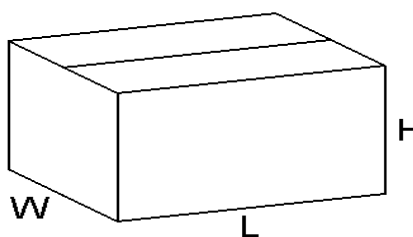
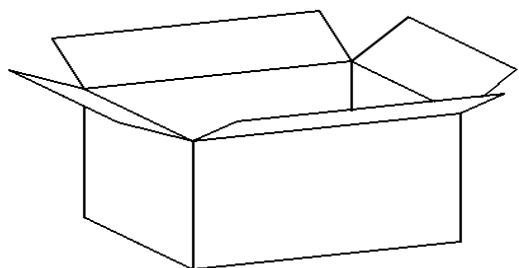
3. Photometric Data:


4. Average Luminance:



5. Package Data:

Packing material	Carton Box
Model Name (MM)	660
Net Weight / Pc (Kg)	0.507
Gross Weight / Cnt (Kg)	32.75
Packing Qty (PCS)	60
Inner box size (L*W*H) mm	770*60*70
Outer box size (L*W*H) mm	780*285*233



6. Wiring

24V cable

AC/DC24V
Red/positive pole



AC/DC24V
White/negative pole