

Product specification

Name : ONN-LED Machine light

Model : ONN-M1 series

Version : A0

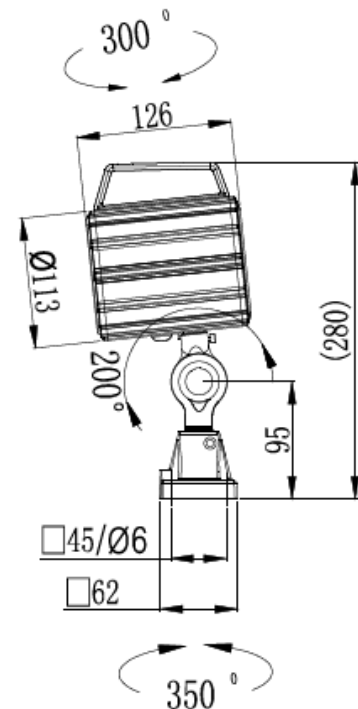
Date : 2015-03-04

一、Products introduce:

- 1, ONN-M1 series of products using profile structure, waterproof apron, tempered glass and other components combine heat and highly uniform appearance.
- 2, We uses 1-3W high power lamp beads, good thermal conductivity of the light source, low light is the best choice for lighting.
- 3, Aluminum die-casting joint stand, durable, simple and elegant, 200-degree adjustment, so that the light arbitrary, very easy to install.

Scope: CNC machine tools, machining centers, CNC lathes, sparks and other local accent lighting.

二、Products photo and size photo:



三、Parameters

Model No.	Input Voltage	Range of input voltage	Range of CCT
□ ONN-M1-B1	AC/DC 24V	AC/DC 24±2V	5500-6000K
□ ONN-M1-B2	AC/DC 24V	AC/DC 24±2V	4000-4500K

深圳市欧恩半导体照明有限公司

电话: 400-0448-288

邮箱: onn001@onnled.net

传真: +86-755-27871421

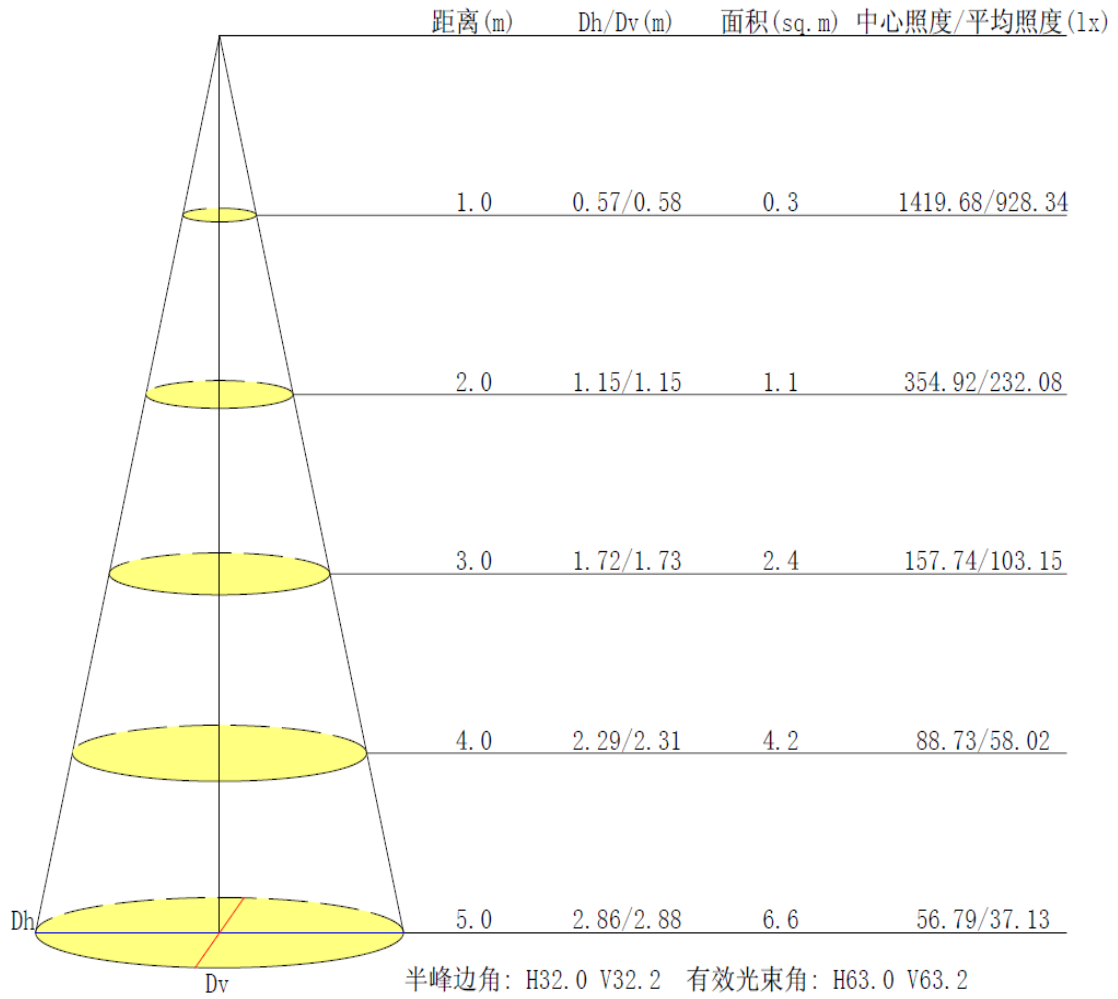
地址: 深圳宝安区福永新和豪丰科技园二区三楼

□ ONN-M1-C1	AC220V (50/60Hz)	AC100-240V (50/60Hz)	5500-6000K
□ ONN-M1-C2	AC220V (50/60Hz)	AC100-240V (50/60Hz)	4000-4500K
Length of power line	- 0.3M (Standard)		
Installation	Fixed base by screws		
Power dissipation	7W	9.5W	
Input current(Max)	(24V) 350mA (220V) 50mA	(24V) 450mA (220V) 100mA	
Light flux	550Lm	830Lm	
IP rating	IP65	Range of CCT	5500—6000K 4000-4500K
Luminous efficiency	70Lm/W	CRI	70
Lamp Driver	Isolated	Power factor	≥ 0.8
Work temperature	< 60°C	Beam angle	45°
Lifetime of source	50 000H		

四.Environmental Requirements:

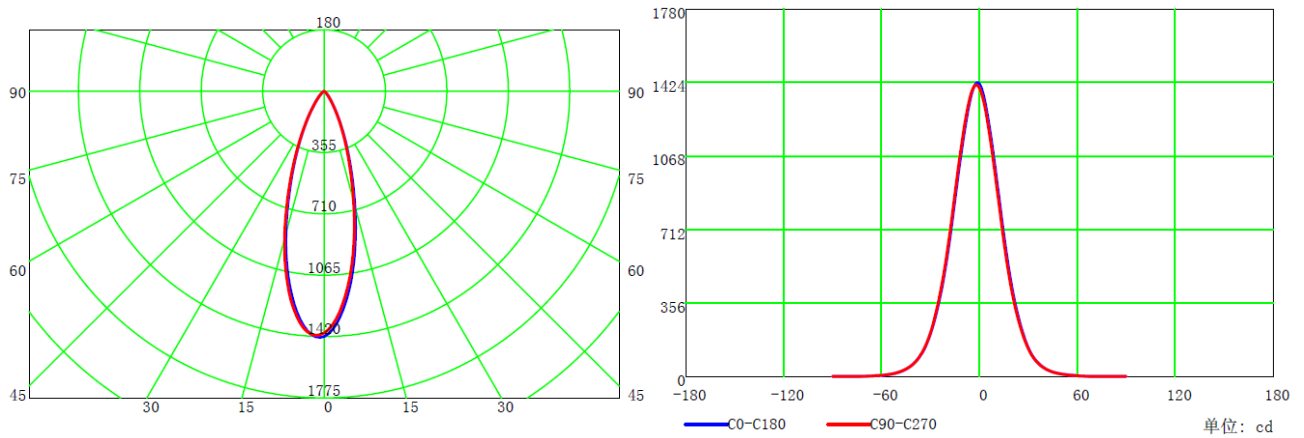
Working temperature:	-20~45°C
Save temperature:	-40~70°C
Working humidity:	10~90%
Save humidity:	10~90%

五、Picture of light distribution curve:



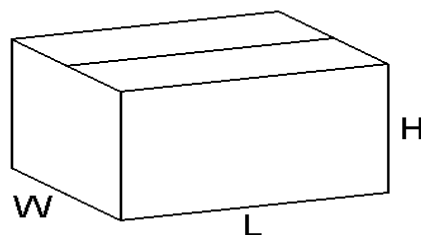
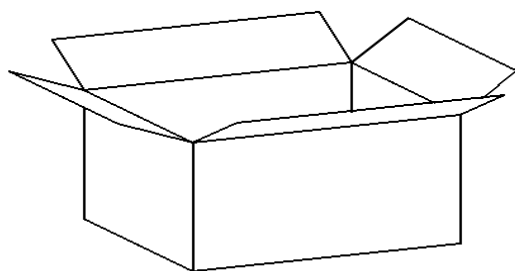
六、The table of average illumination:

配光曲线



七、Packing:

Packing material	Cartons	
	280(1pcs/inner box)	280(3pcs/inner box)
Size of products (MM)	280(1pcs/inner box)	280(3pcs/inner box)
N/W of one light (Kg)	0.98	0.98
G/W of total cartons (Kg)	14.5	20.5
Quantity/CTN (PCS)	12	18
Inner box(L*W*H)mm	225*130*170	330*200*220
Carton size(L*W*H)mm	460*400*355	620*380*460

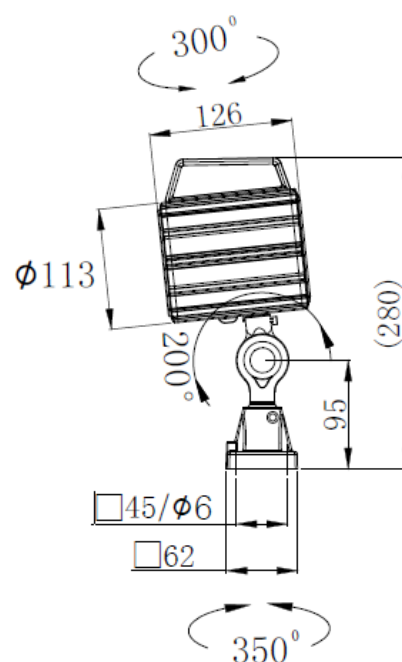


八、Installation

Fixed base by screws:

1) Drill a hole in posite, diameter of hole is 6MM.

2) Used screws tighten,after installed, lamp head can be adjusted as needed (say right picture).



九、Repair list:

- 1、The warranty of the products is 18 months. If broken in natural within the warranty, please bring invoice and date in the light to repair free.
- 2、The following cases are not covered by the warranty, service charges paid by:
 - (1) Altered fixture dates
 - (2) The broken is because of improper use by user;
 - (3) The body of light and bundled products is broken or lost can't warranty;
 - (4) The broken reason is not natural, such broken by wrong input voltage and set up to lead to light can't work;
 - (5) Dismantle and repair have not agree with factory, repair and alter by the other repair person not in authorized service station;
 - (6) The broken is caused by fires, earthquakes, floods, lightning or other natural disasters, pollution and abnormal voltage.
 - (7) Lights need to repair because rodents, salt spray, corrosion.
- 3、Exceed warranty period, repair will be charge fees as standard. Service charge = repair fees + material fees + freight fees.