



Data Sheet

Product Name : Led Tri-proof Light

Model : OJ-J02

Date : 2015-11-02

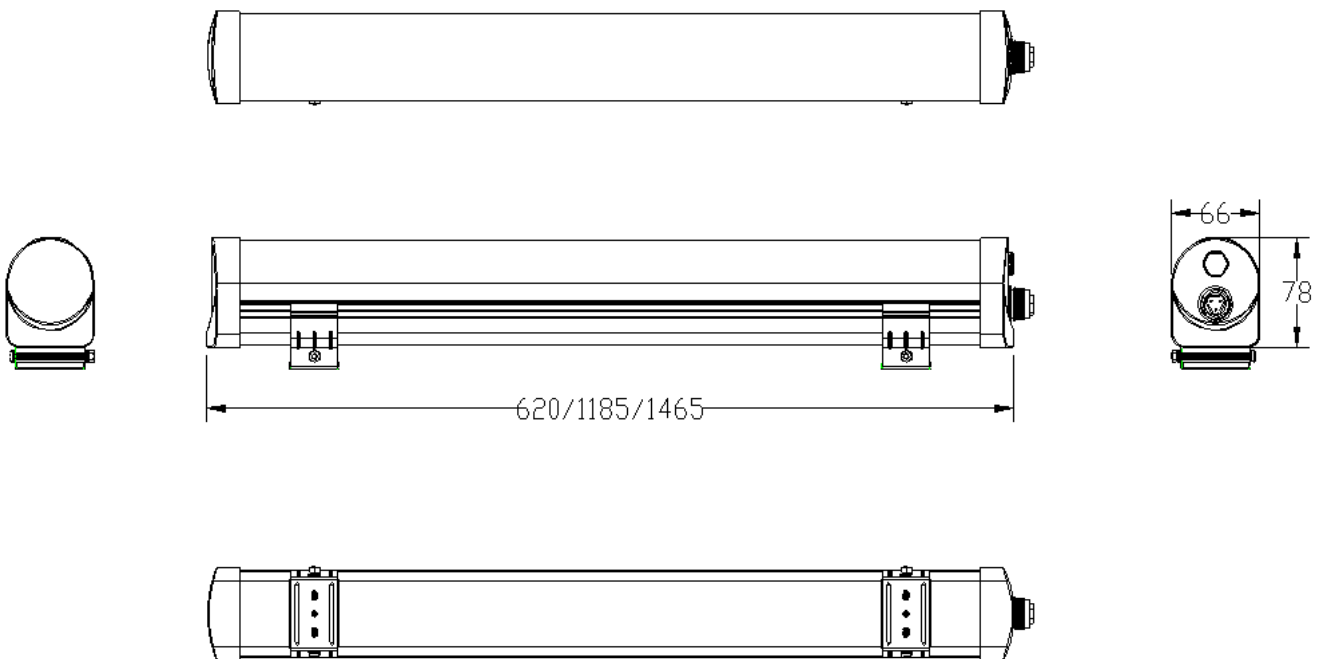
Version : A 1



Introduction

1. Exquisite appearance with design patents.
2. Economical price, easy installation, higher lumens.
3. Led clean room light, excellent dust proof performance, easy to maintenance, energy saving.
4. Adopt Taiwan import SMD2835, small chip size with low thermal resistance, high heat conductivity and low brightness decay.

Standard picture and size

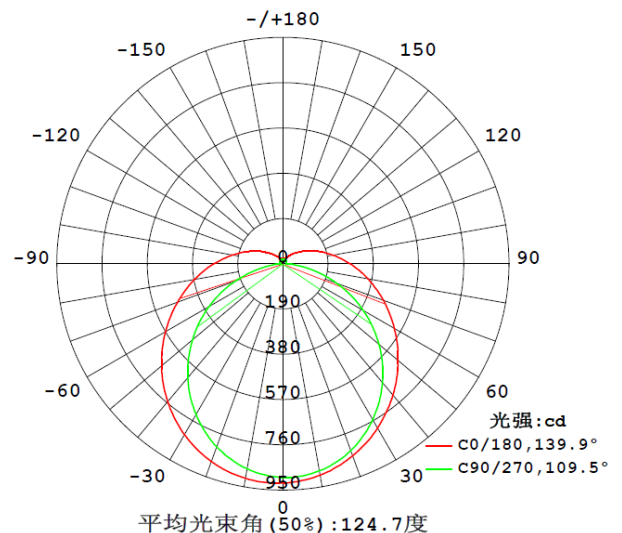


Data Sheet :

Model No.	Input Voltage	Range of input voltage	Range of CCT
OJ-J02-C1	AC220V (50/60Hz)	AC200-240V (50/60Hz)	5500-6000K
OJ-J02-C2	AC220V (50/60Hz)	AC200-240V (50/60Hz)	4000-4500K
OJ-J02L-C1(-40~+25℃)	AC110/220V(50/60Hz)	AC100-260 V (50/60Hz)	5500-6000K
OJ-J02L-C2(-40~+25℃)	AC110/220V(50/60Hz)	AC100-260 V (50/60Hz)	4000-4500K
Length of power line:	no (Standard)		
Installation:	fixed by screws		
tube length:	600mm	1200mm	1500mm
Power consumption(Max):	20w	40w	55w
Input Current(Max):	(220V) 90mA	(220V) 180mA	(220V) 330mA
Luminous Flux:	1660Lm	3500Lm	5250Lm
IP rating:	IP65		
Luminous efficiency:	85-95Lm/W	CRI:	Ra>80
Drive:	Isolation type	Power factor:	>0.9
Working temperature:	<60 ℃	Beam angle:	125 °
Life spans:	50 000H	Power:	Isolated
working temperature:	-20~45℃ (standard) (-40~45℃ for cold room)	Storage temperature:	-40~70>℃
working humidity:	10~90%	Storage humidity:	10~90%

Spectral characteristic figure:

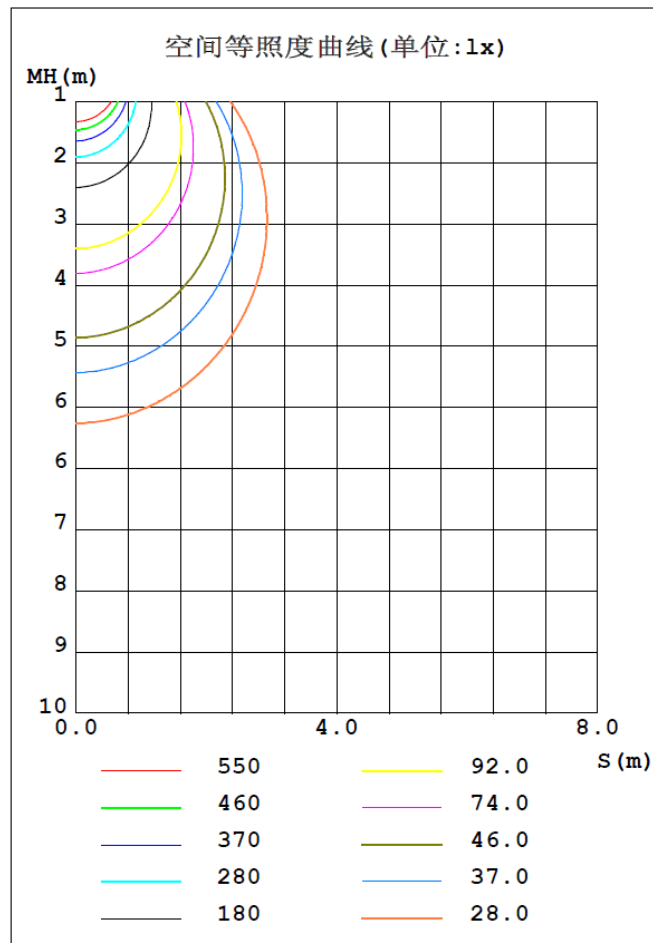
Indoor fixture light distribution curve



Shenzhen Onn Semi-conductor lighting Co.,Ltd

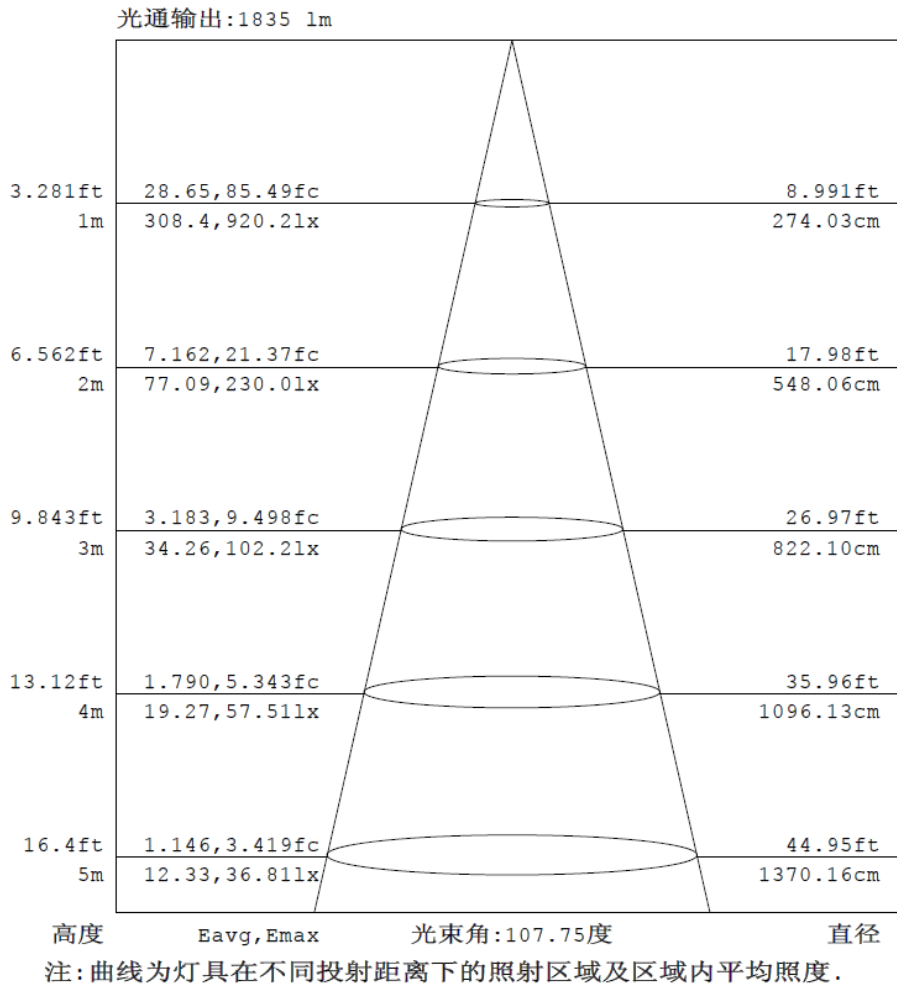
Tel: +86-755-29566420 Fax: +86-755-29566420

Add: F, Haofeng Industrial Park NO.2 Zone, Xinhe, Bao'an District, Shenzhen, China.



The average luminance table

Effective average luminance table

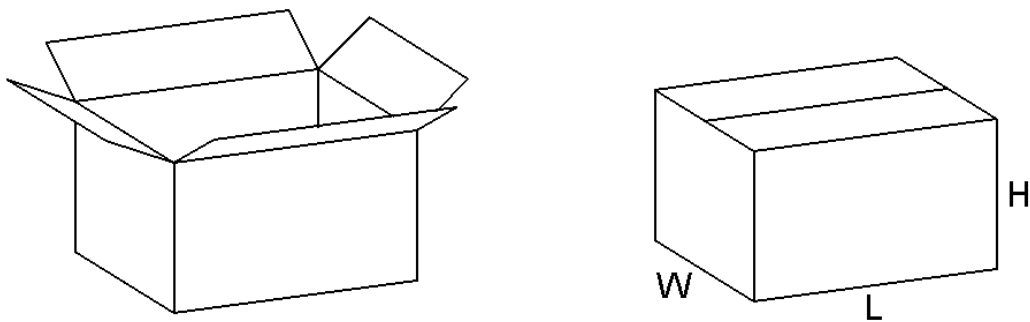


Package:

Package material	Carton(without inner box)		
product size	600	1200	1500
net weight	0.9	1.5	1.6
pcs in one carton	12	12	9
Gross weight	11.7	19.6	16.8
Outer packing size (L*W*H) mm	700×335×390	1300×225×390	1570×240×305

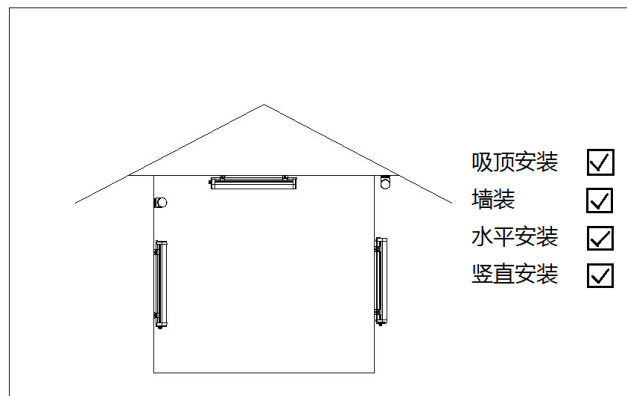
Package material	Carton(with inner box)		
product size	600	1200	1500
net weight	0.9	1.5	1.6
pcs in one carton	16	12	9
Gross weight	18.5	23.2	19.6
Inner packing size (L*W*H) mm	655×73×95	1250×73×95	1540×73×95
Outer packing size (L*W*H) mm	670x310x400	1270x310x305	1570×240×305

Package information is for reference, subject to real weight when delivery.



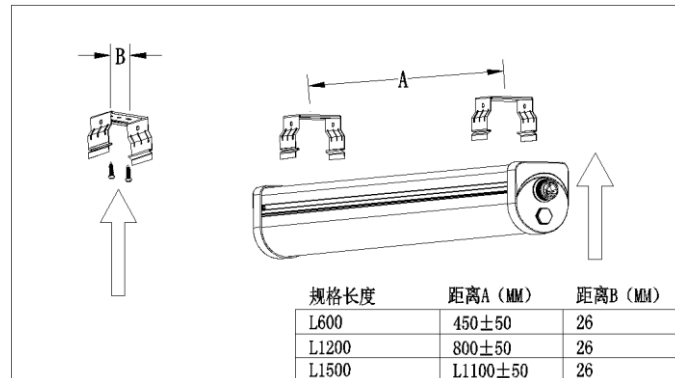
Installation

- Suitable for Ceiling installation, wall surface installation, horizontal and vertical installation.
In vertical occasion, please direct wire input end to bottom like the drawing 1 below.



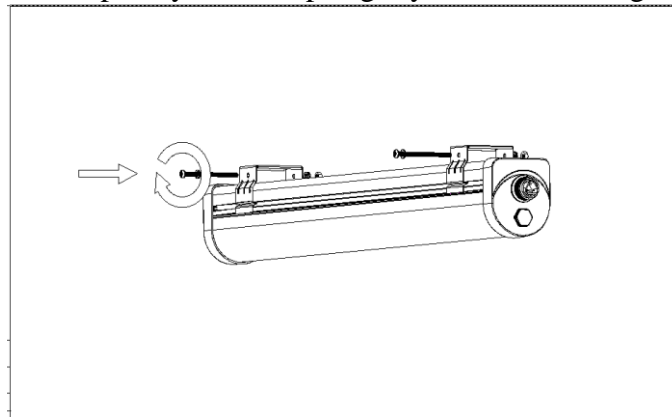
Drawing 1

2. Drill holes on ceiling, holes distance depends on tube length. Screw the metal clips on holes (Diameter of screw must be less than 4mm), at last, push J02 into metal clips with strength. Refer to drawing 2.



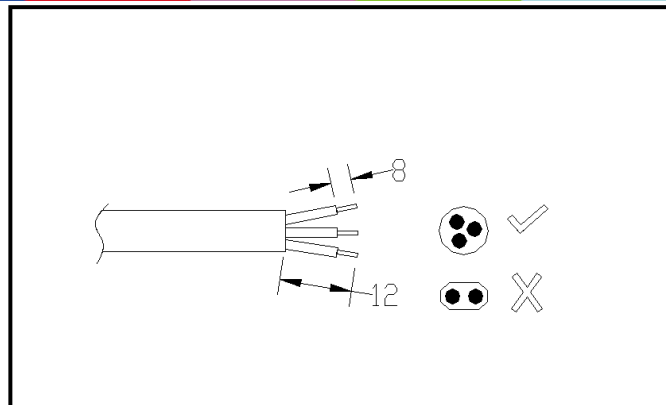
Drawing 2

3. Put the bolt on the clip holes, screw it tightly with a spring gasket on back, straining bolt to make the led fixture clamped by metal clips tightly, refer to drawing 3.



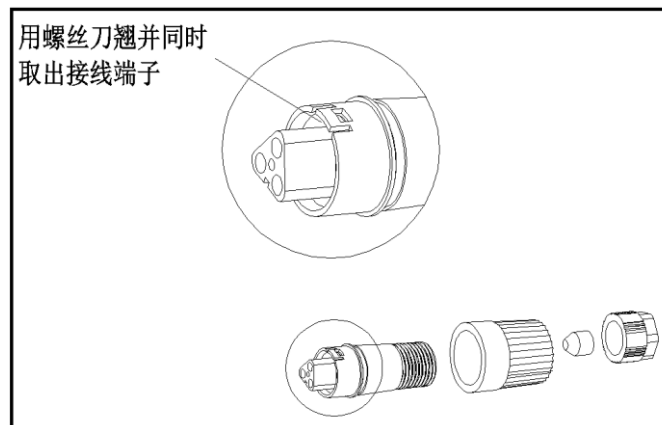
Drawing 3

4. Decorticate the outer pipe of input wire 12mm, inner pipe 8mm, refer to drawing 4.



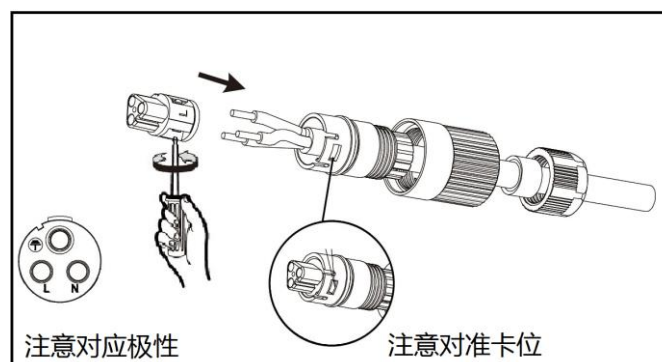
Drawing 4

5. Take off the 2 pieces screw barrels on wire input contact, use screw driver to open the Buckle and take the wire terminal, refer to drawing 5.



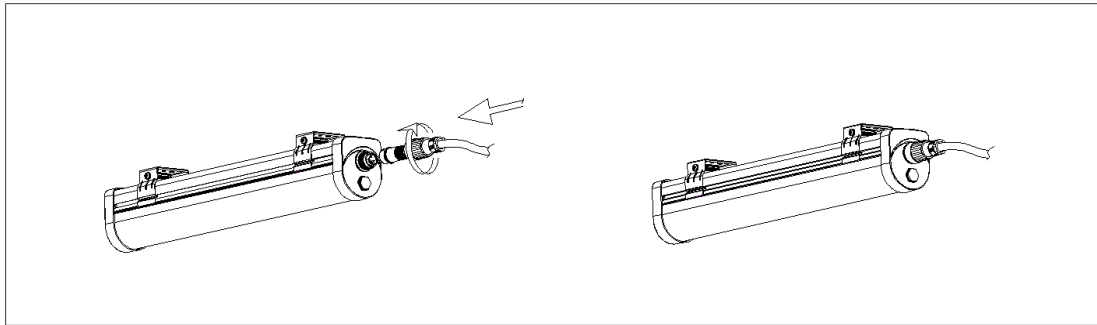
Drawing 5

6. Thread wire from back to forth, according to input wire terminal's polarity, put firing line to L, zero line to N, ground line to grounding marked, at last push the terminal buttons in correspondingly, please refer to drawing 6.



Drawing 6

7. Plug the finished wire terminal into led fixture, screw it tightly, please refer to drawing 7.



Drawing 7

Repair Rule

The warranty of the products is 24 months. If broken in natural within the warranty, please bring invoice and date in the light to repair free.

The following cases are not covered by the warranty, service charges paid by:

- (1) Altered fixture dates
- (2) The broken is because of improper use by user;
- (3) The body of light and bundled products is broken or lost can't warranty;
- (4) The broken reason is not natural, such broken by wrong input voltage and set up to lead to light can't work;
- (5) Dismantle and repair have not agree with factory, repair and alter by the other repair person not in authorized service station;
- (6) The broken is caused by fires, earthquakes, floods, lightning or other natural disasters, pollution and abnormal voltage.
- (7) Lights need to repair because rodents, salt spray, corrosion.

3、Exceed warranty period, repair will be charge fees as standard. Service charge = repair fees + material fees + freight fees.