

## Data Sheet

Model: ONN-M4

Product Name: Led Tower Light

### Introduction:

1. Exquisite appearance with design patents, multiple functions, high cost performance.
2. Adopt high brightness LED chip, wider angle, low thermal resistance, Color area concentrated, low brightness decay with a long life span.
3. The whole structure design features good heat dissipation, high quality driver guarantees a long life time entirely.
4. A reasonable layout of internal electronic components, strictly ensure a high efficient work state.

### Product picture show:

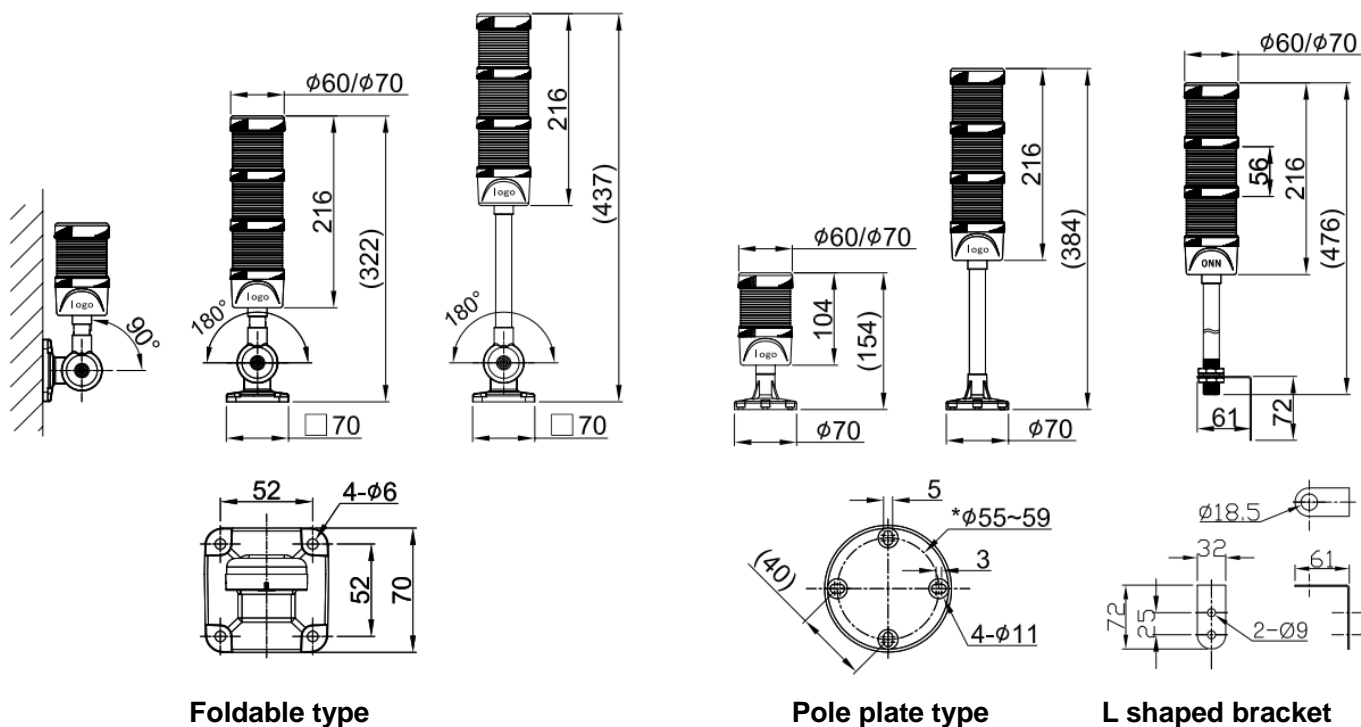


---

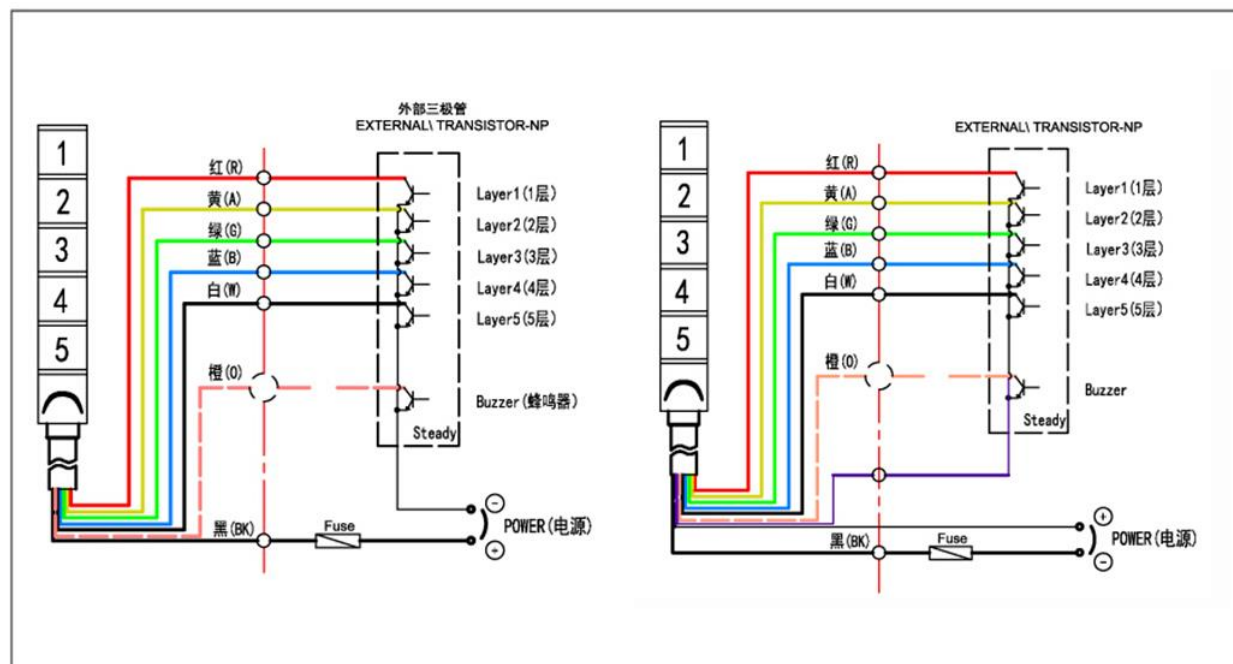
**Shenzhen Onn Semi-conductor lighting Co.,Ltd**

Tel: +86-755-29566420 Fax: +86-755-29566420 Web: www.onnlion88.com  
Add: F, Haofeng Industrial Park NO.2 Zone, Xinhe, Bao'an District, Shenzhen, China.

**Base Options:**



**Wiring way to equipment:**



**Pole length:**



### ONN-M4 Led Tower light Base option

Pole plate base

Pole length: 165mm / 50mm / 38mm  
to choose.



Foldable base

Pole length: 165mm / 50mm / 38mm  
to choose.



“L” Shape bracket

Pole length: 240mm

Above is our standard pole length, we also accept customized pole length if you need.

**Extra service we provide:**

We provide Logo print service. Customer should provide a clear Logo picture in PDF. Logo example are as below.



The logo will shine in blue color when tower light is working. It is ONN patent design.

**Product Principle:**

ONNM4- 3 A A B C- RYGWB - 60							
1	2	3	4	5	6	7	8
1 Brand	ONNM4						
2 Layer	1. One layer 2. two layers 3. Three layers 4. Four layers 5. five layer						
3 Mounting	A. Foldable type C. pole type E. "L" Shape bracket mounting						
4 Voltage	A. DC12V(Contact type) B. DC24 C. AC220V(contact type)						
5 Function	B. Steady F. Steady with buzzer S. Red flash C. Red flash with buzzer D. All flash E. All flash with buzzer						
6 Wiring	T. direct Input (PNP&NPN) C. Contact type						
7 Colors	Color sequence from top to bottom: Red Yellow Green White Blue						
8 Cover Dia.	60. Φ60mm 70.Φ70mm						

**Shenzhen Onn Semi-conductor lighting Co.,Ltd**

Tel: +86-755-29566420 Fax: +86-755-29566420 Web: www.onnlion88.com  
 Add: F, Haofeng Industrial Park NO.2 Zone, Xinhe, Bao'an District, Shenzhen, China.

**Data sheet:**

Model		ONN - M4 Warning light			
Voltage	DC12V/24V/ AC220V	Input current	60mA~200mA	Power	1.4W~5W
Ingress Protection	IP54/IP65(NO BUZZER)	Wire output	<input type="checkbox"/> 0.5m <input type="checkbox"/> _____	Body color	<input type="checkbox"/> Black <input type="checkbox"/> Gray
light source	SMD2835	Lifespan	50,000hrs	Surface Temperature	<50°C
Buzzer	85dB	Flash frequency	60-70/min	Material	Lamp cover: PC Lamp housing: ABS Pole: AL Alloy
Emitting angle	360°	Color	R/Y/G	Logo	<input type="checkbox"/> Customer <input type="checkbox"/> Neutral <input type="checkbox"/> Onn
Layer	<input type="checkbox"/> Multicolor with multi layers <input type="checkbox"/> Single layer with Tri colors				

**Product appearance:**

Appearance design	Round, modular lamp cover
Lamp body color	black or computer gray, with blue color logo, lamp cover: Red, yellow, green, blue, white(single layer with multicolor)

**Package:**

Package	Three layers (Foldable)	Three layers (Pole Plate)	Four layers (Pole Plate)
Net weight (Kg)	0.325	0.3	0.315
Carton Gross weight(Kg)	6.1	5.8	6
Qty in one carton(PCS)	12	12	12
Inner package size (L*W*H) mm	415*80*80mm	415*80*80mm	510*90*75mm
Outer package size (L*W*H) mm	440*265*345mm	440*265*345mm	580*280*233mm

---

**Shenzhen Onn Semi-conductor lighting Co.,Ltd**

Tel: +86-755-29566420 Fax: +86-755-29566420 Web: [www.onnlion88.com](http://www.onnlion88.com)  
 Add: F, Haofeng Industrial Park NO.2 Zone, Xinhe, Bao'an District, Shenzhen, China.

## **Repair Rule:**

1. The warranty of the products is 24 months. If broken in natural within the warranty, please bring invoice and date in the light to repair free.

2.The following cases are not covered by the warranty, service charges paid by:

(1) Altered fixture dates

(2) The broken is because of improper use by user;

(3) The body of light and bundled products is broken or lost can't warranty;

(4) The broken reason is not natural, such broken by wrong input voltage and set up to lead to light can't work;

(5) Dismantle and repair have not agree with factory, repair and alter by the other repair person not in authorized service station;

(6) The broken is caused by fires, earthquakes, floods, lightning or other natural disasters, pollution and abnormal voltage.

(7) Lights need to repair because rodents, salt spray, corrosion.

3. Exceed warranty period, repair will be charge fees as standard. Service charge = repair fees + material fees + freight fees.

Product picture reference:

